

# NSW HFG STANDARD COMPONENTS

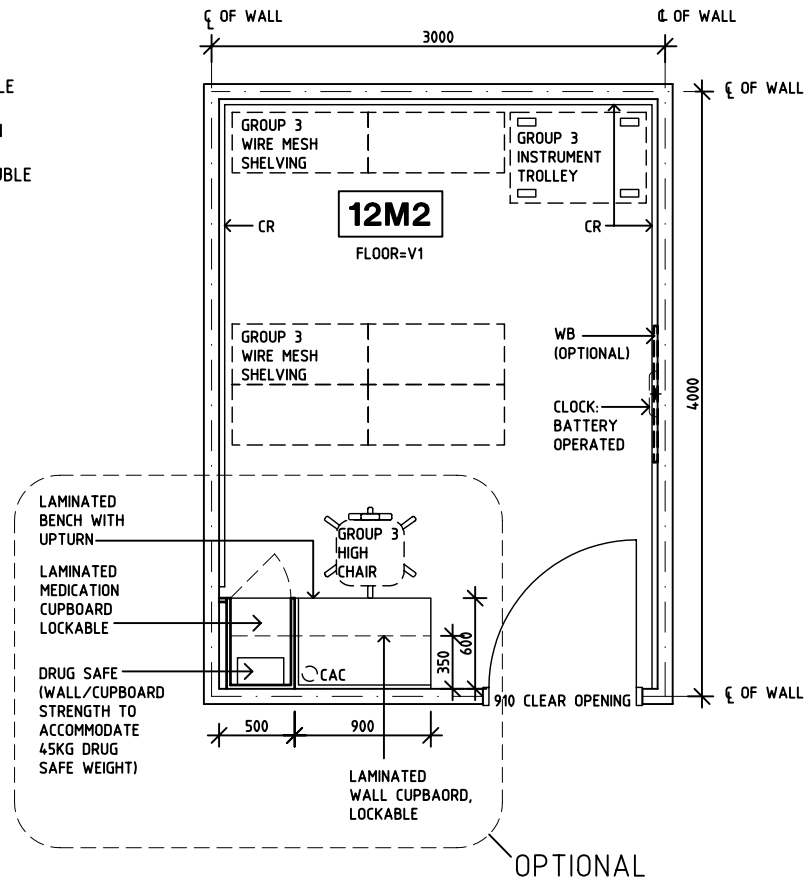
Room Layout Sheet

Room Name **Store - Sterile Stock, 12m<sup>2</sup>**

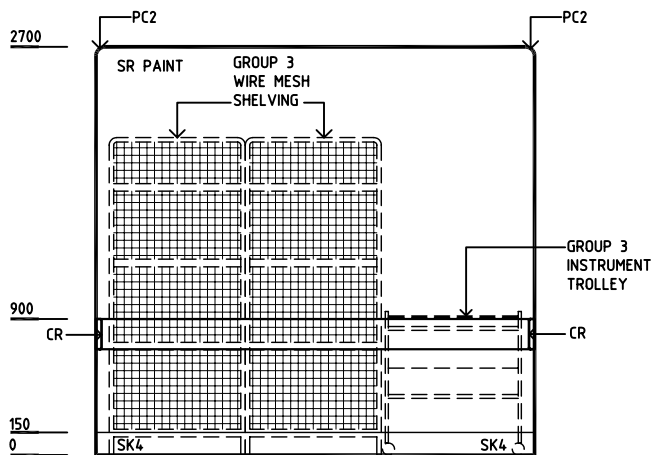
RLS Room Code **STSS-12**

RDS Room Code **STSS-12**

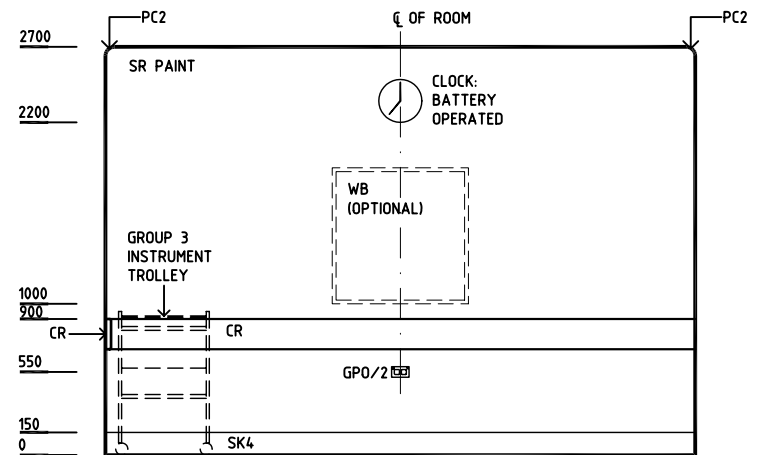
- AS ADJUSTABLE SHELF
- CAC CABLE ACCESS CAP
- COM/2 COMMUNICATIONS OUTLET - DOUBLE
- CR CRASH RAIL
- DP DOOR & DOOR FRAME PROTECTION
- FS FIXED SHELF
- GPO/2 GENERAL PURPOSE OUTLET - DOUBLE
- LS LIGHT SWITCH
- LS/P LIGHT SWITCH - PELMET
- LVP LAMINATED VERTICAL PANEL
- OP OBSERVATION PANEL
- PC2 60MM FLUSH SET COVERED CORNICE
- SK4 FLOOR VINYL COVERED SKIRTING
- SR SCRUB RESISTANT
- V1 FLOOR VINYL, STANDARD
- WB WHITEBOARD



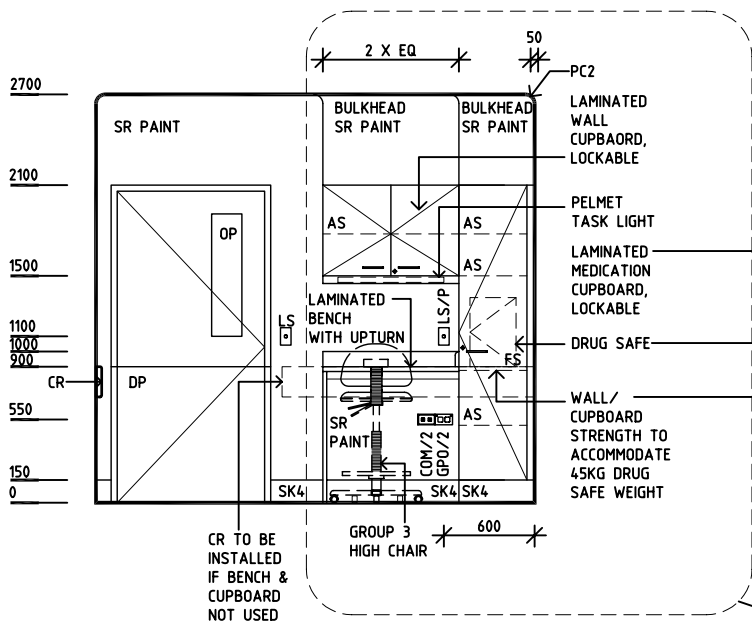
**PLAN**



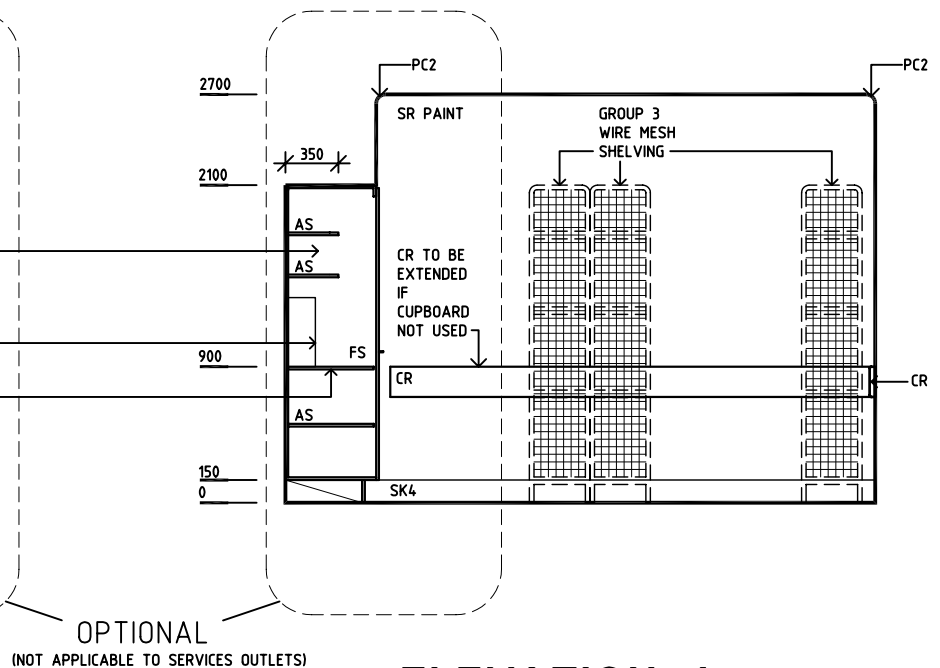
**ELEVATION 1**



**ELEVATION 2**



**ELEVATION 3**



**ELEVATION 4**

REV	DESCRIPTION	DATE	BY	REV	DESCRIPTION	DATE	BY	REV	DESCRIPTION	DATE	BY
1	FIRST ISSUE	12.8.03	CC								
2	GENERAL REVISIONS	30.5.05	HS								