

NSW HFG STANDARD COMPONENTS

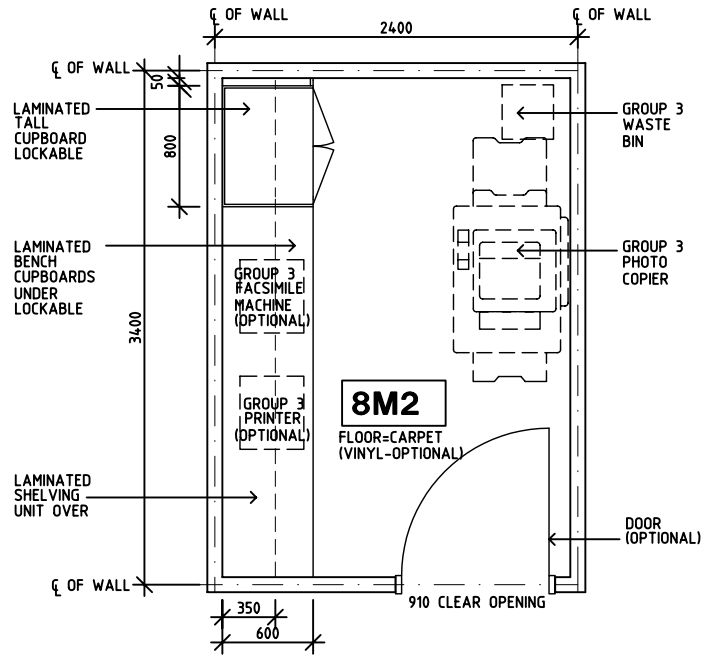
Room Layout Sheet

Room Name **Store - Photocopy / Stationery**

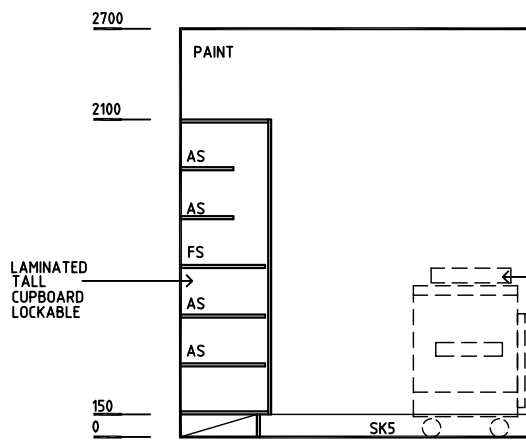
RLS Room Code **STPS**

RDS Room Code **STPS**

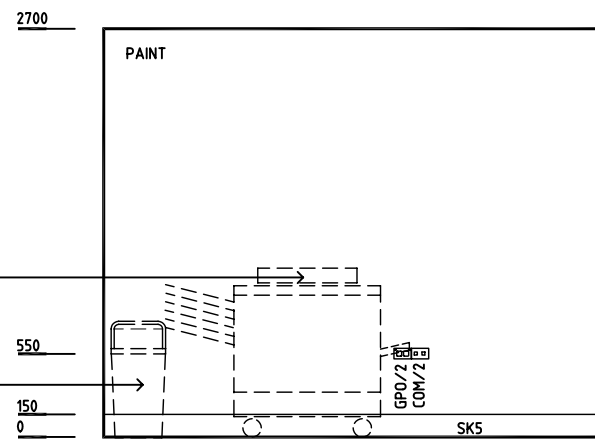
- AS ADJUSTABLE SHELF
- COM/2 COMMUNICATION OUTLET- DOUBLE
- GPO/2 GENERAL PURPOSE OUTLET-DOUBLE
- LS/P LIGHT SWITCH - PELMET TASK LIGHT
- LS/R LIGHT SWITCH - ROOM
- SK5 FEATHER EDGE VINYL SKIRTING



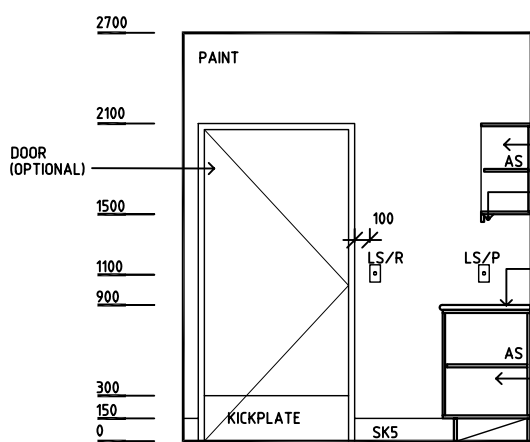
PLAN



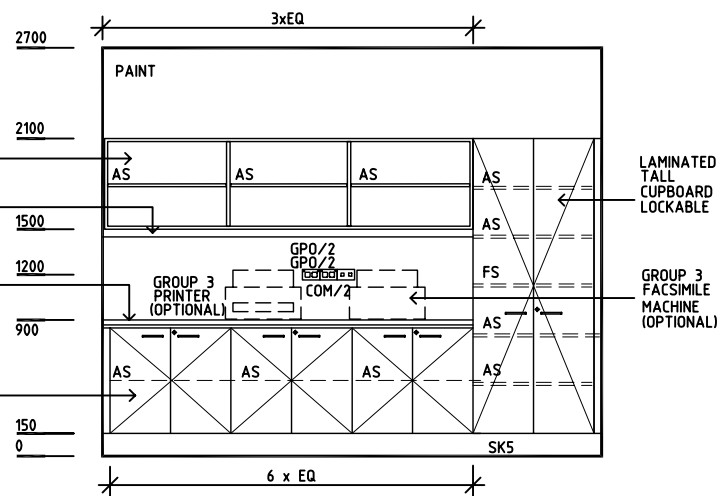
ELEVATION 1



ELEVATION 2



ELEVATION 3



ELEVATION 4

REV	DESCRIPTION	DATE	BY	REV	DESCRIPTION	DATE	BY	REV	DESCRIPTION	DATE	BY
1	FIRST ISSUE	12.11.03	AL								
2	GENERAL AMENDMENTS	16.12.03	BJ								
3	GENERAL AMENDMENTS	27.5.05	AL								