

# NSW HFG STANDARD COMPONENTS

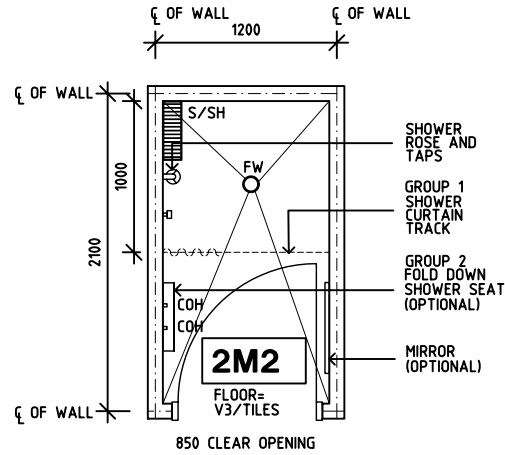
Room Layout Sheet

Room Name **Shower - Staff**

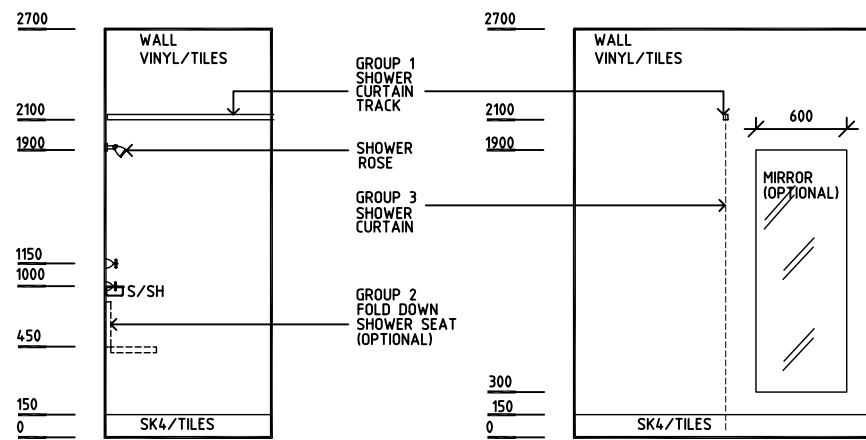
RLS Room Code **SHST**

RDS Room Code **SHST**

- COH COAT HOOK
- FW FLOOR WASTE
- LS LIGHT SWITCH
- SK4 FLOOR VINYL COVERED SKIRTING
- S/SH SOAP AND SHAMPOO HOLDER
- V3 FLOOR VINYL STUDDED

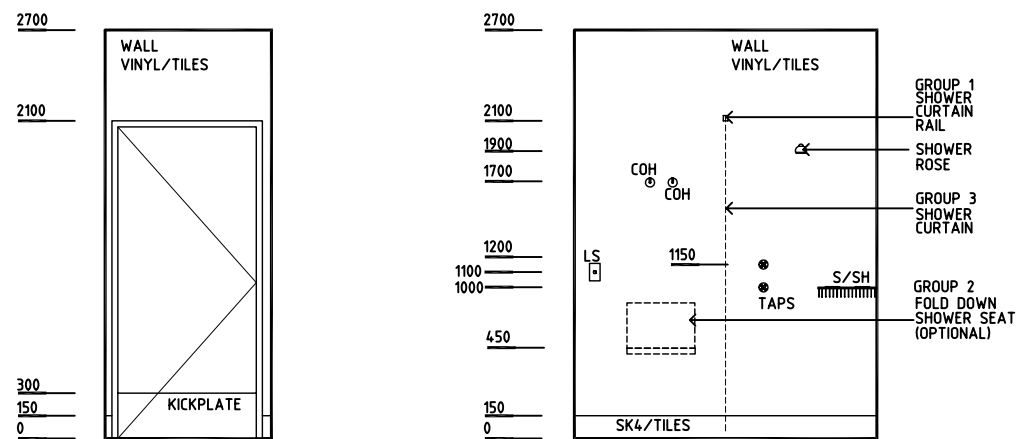


**PLAN**



**ELEVATION 1**

**ELEVATION 2**



**ELEVATION 3**

**ELEVATION 4**

REV	DESCRIPTION	DATE	BY	REV	DESCRIPTION	DATE	BY	REV	DESCRIPTION	DATE	BY
1	FIRST ISSUE	10.12.03	AA								
2	GENERAL REVISIONS	13.5.05	AL								



THE UNIVERSITY OF  
NEW SOUTH WALES

HPI

DESIGNED	APPROVED	SCALE(S)	ZONE(S)
AA	DB	1:50 in A3	
CAD FILE NAME SHST		PAPER DRAWING ID SHST	