

NSW HFG STANDARD COMPONENTS

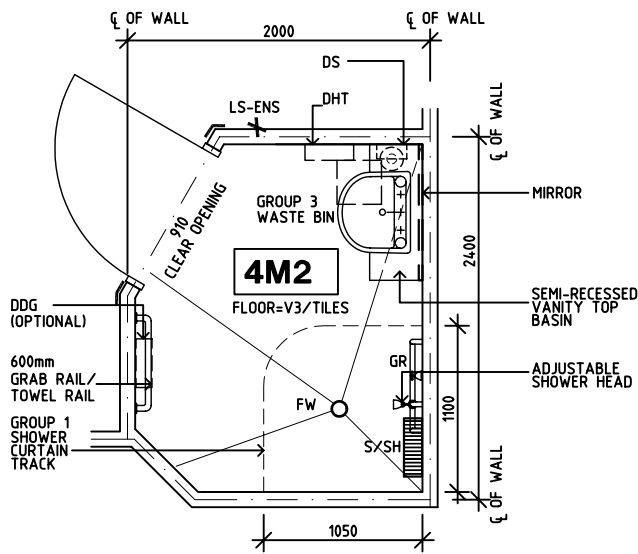
Room Layout Sheet

Room Name **Shower - Patient**

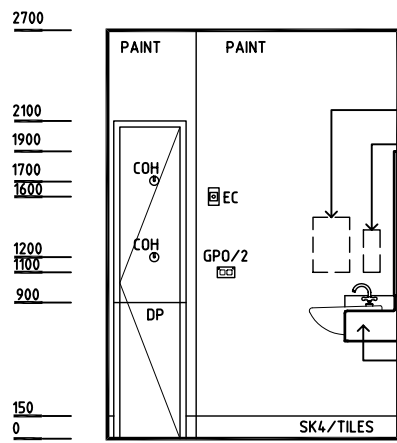
RLS Room Code **SHPT**

RDS Room Code **SHPT**

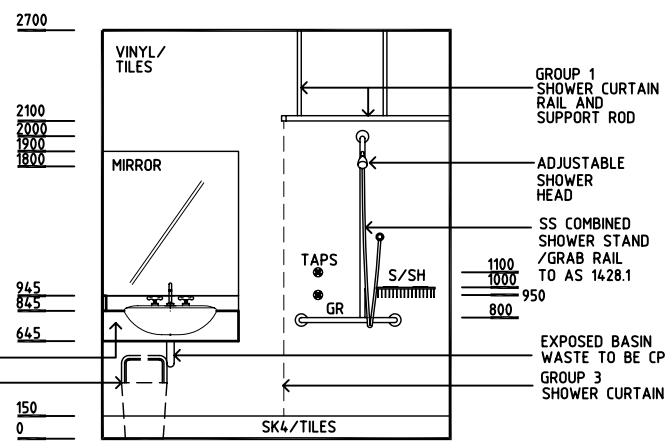
- CH CATHETER HOOK
- COH COAT HOOK
- CP CHROME PLATED
- DHT DISPENSER HAND TOWEL
- DP DOOR AND FRAME PROTECTION
- DS DISPENSER SOAP
- DDG DISPENSER DISPOSABLE GLOVE
- EC EMERGENCY CALL
- FW FLOOR WASTE
- GPO/2 GENERAL POWER OUTLET, DOUBLE
- GR GRAB RAIL
- IV IV HOOK
- LS-ENS LIGHT SWITCH - ENSUITE
- NA NURSE ASSIST CALL
- NC PATIENT NURSE CALL
- S/SH SOAP AND SHAMPOO HOLDER
- SK4 FLOOR VINYL COVERED, SKIRTING
- V3 FLOOR VINYL, STUDDED



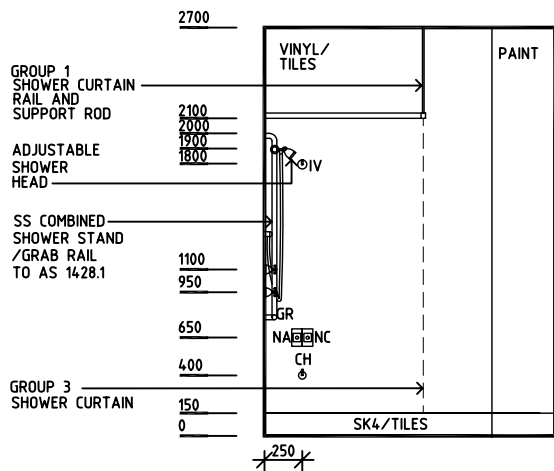
PLAN



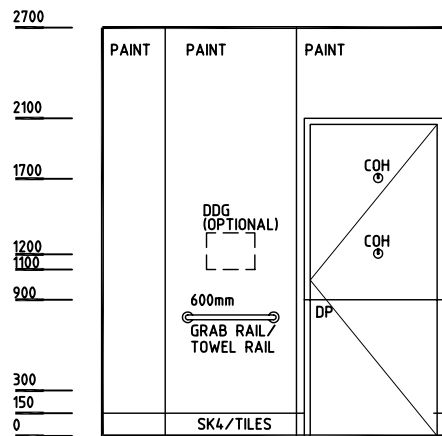
ELEVATION 1



ELEVATION 2



ELEVATION 3



ELEVATION 4

REV	DESCRIPTION	DATE	BY	REV	DESCRIPTION	DATE	BY	REV	DESCRIPTION	DATE	BY
1	FIRST ISSUE	10.10.03	AL	4	GENERAL REVISIONS	3.8.05	AL				
2	GENERAL REVISIONS	17.12.03	CC								
3	GENERAL REVISIONS	16.2.05	AL								