

# NSW HFG STANDARD COMPONENTS

Room Layout Sheet

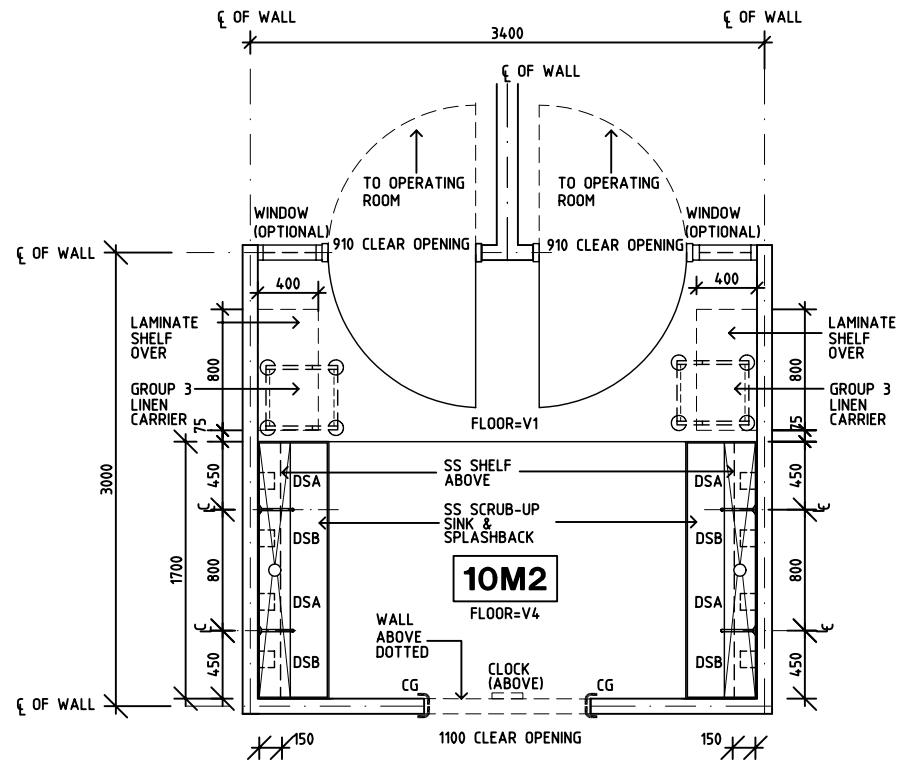
Room Name

Scrub Up/Gowning - Shared

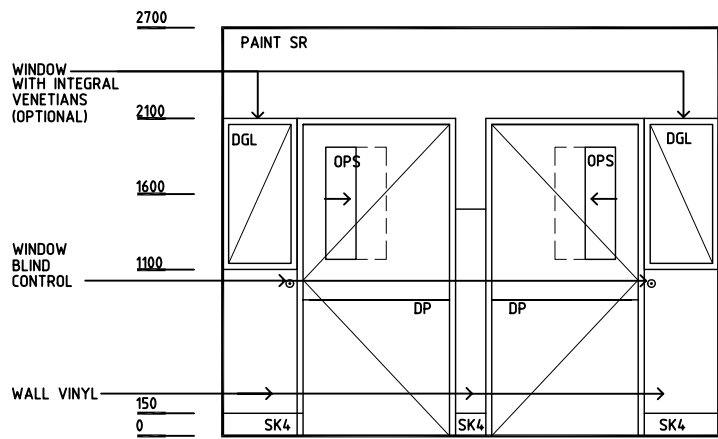
RLS Room Code **SCRBS**

RDS Room Code **SCRBS**

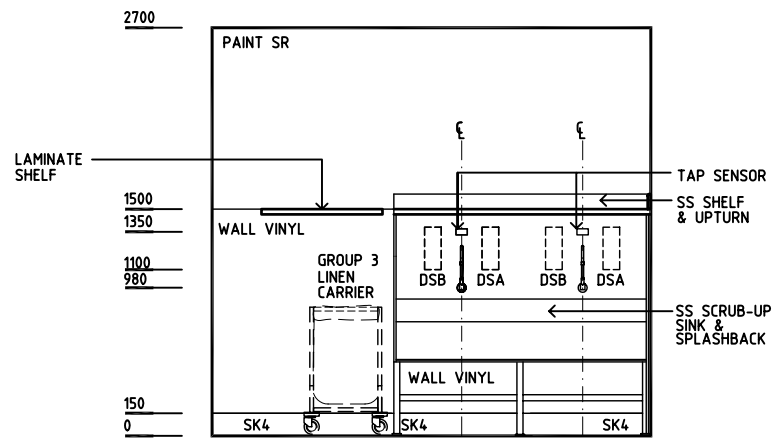
- CG CORNER GUARD
- DGL DOUBLE GLAZED WITH VENETIAN BLINDS
- DSA DISPENSER - SOAP ANTISEPTIC
- DSB DISPENSER - SCRUB BRUSH
- DP DOOR AND FRAME PROTECTION
- OPS OBSERVATION PANEL WITH SLIDING COVER
- SK4 FLOOR VINYL COVERED SKIRTING
- SR SCRUB RESISTANT
- SS STAINLESS STEEL
- V1 VINYL FLOORING, STANDARD
- V4 VINYL FLOORING, SSFETY VINYL



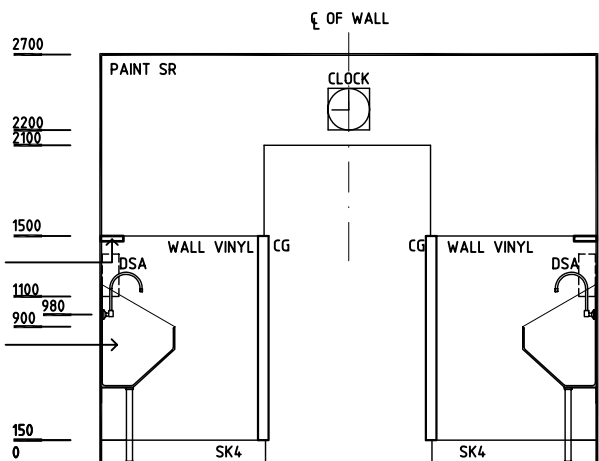
**PLAN**



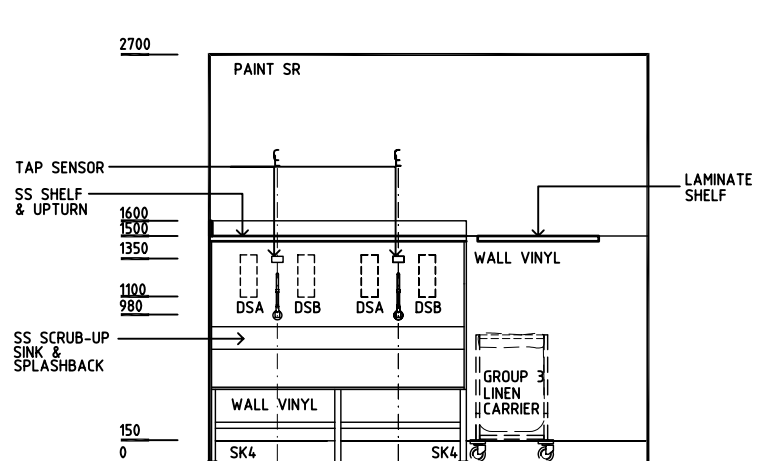
**ELEVATION 1**



**ELEVATION 2**



**ELEVATION 3**



**ELEVATION 4**

REV	DESCRIPTION	DATE	BY	REV	DESCRIPTION	DATE	BY	REV	DESCRIPTION	DATE	BY
1	FIRST ISSUE	1.12.03	AL								
2	GENERAL REVISIONS	27.5.05	AL								

DESIGNED	APPROVED	SCALE(S)	ZONE(S)
AL	DB	1:50 in A3	
CAD FILE NAME SCRBS		PAPER DRAWING ID SCRBS	