

# NSW HFG STANDARD COMPONENTS

Room Layout Sheet

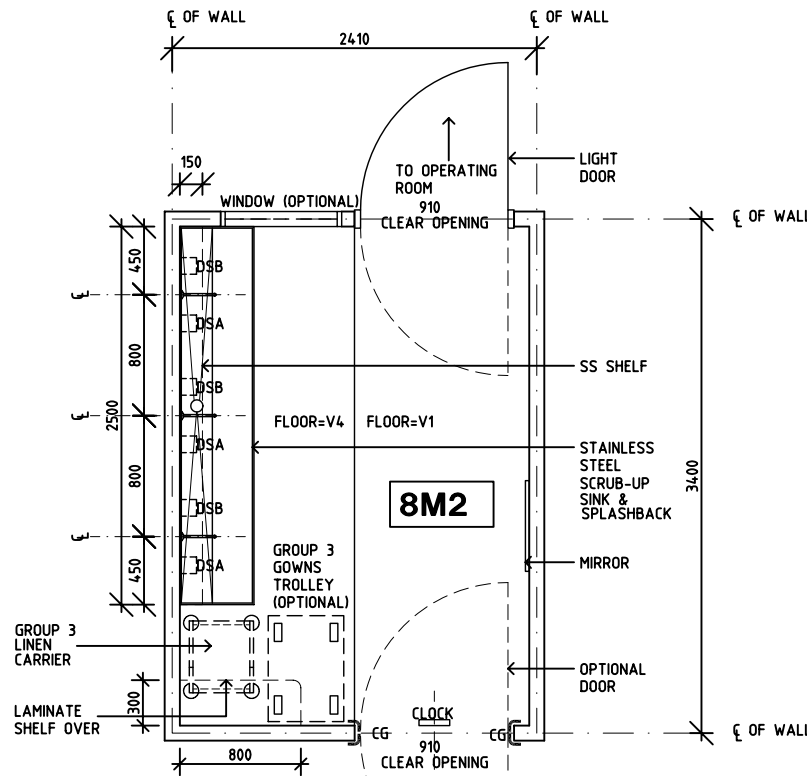
Room Name

Scrub Up/Gowning, 8m2

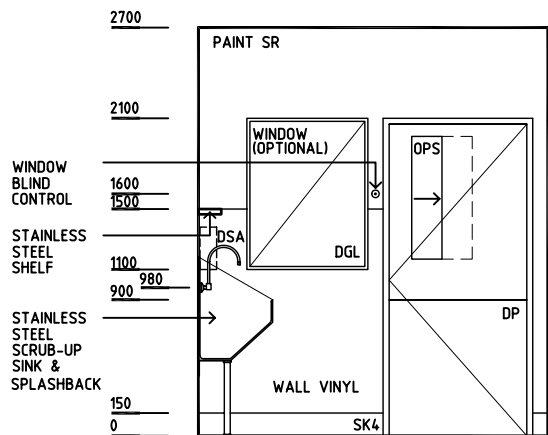
RLS Room Code **SCRB-8**

RDS Room Code **SCRB-8**

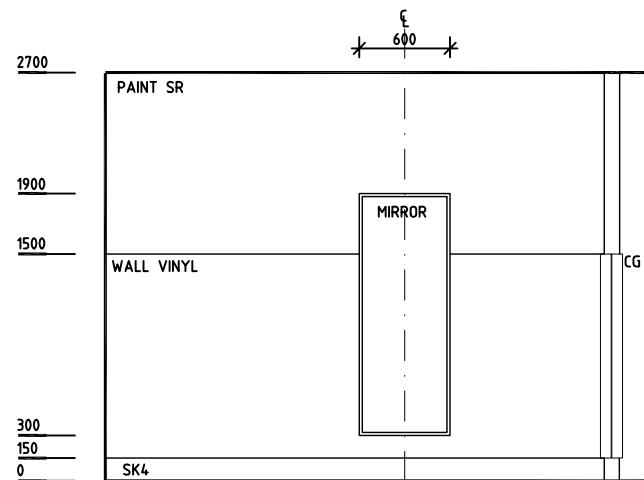
- CG CORNER GUARD
- DGL DOUBLE GLAZED WITH VENETIAN BLINDS
- DSA DISPENSER - SOAP ANTISEPTIC
- DSB DISPENSER - SCRUB BRUSH
- DP DOOR AND FRAME PROTECTION
- OPS OBSERVATION PANEL WITH SLIDING COVER
- SK4 FLOOR VINYL COVERED SKIRTING
- SS STAINLESS STEEL
- SR SCRUB RESISTANT
- V1 VINYL FLOORING, STANDARD
- V4 VINYL FLOORING, SAFETY VINYL



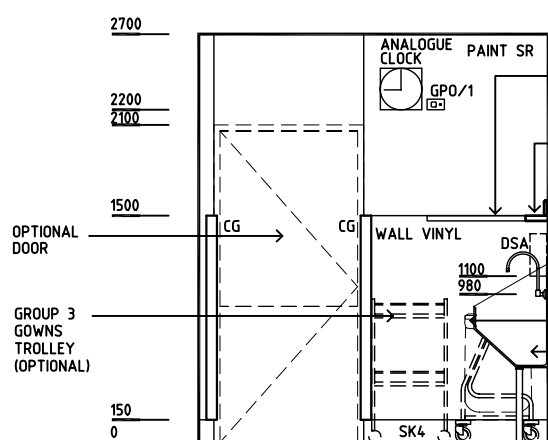
**PLAN**



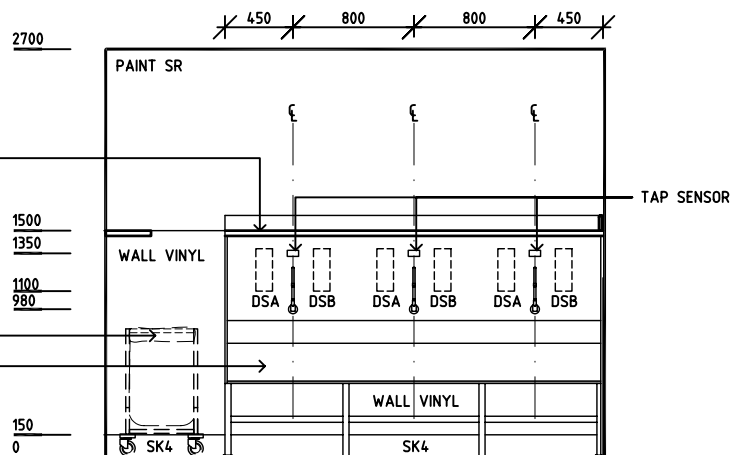
**ELEVATION 1**



**ELEVATION 2**



**ELEVATION 3**



**ELEVATION 4**

REV	DESCRIPTION	DATE	BY	REV	DESCRIPTION	DATE	BY	REV	DESCRIPTION	DATE	BY
1	FIRST ISSUE	01.12.03	AL								
2	GENERAL REVISIONS INCL NAME CHANGE	11.6.05	JMH								

DESIGNED	APPROVED	SCALE(S)	ZONE(S)
AL/JT	DB	1:50 in A3	
CAD FILE NAME SCRB-8		PAPER DRAWING ID SCRB-8	