

NSW HFG STANDARD COMPONENTS

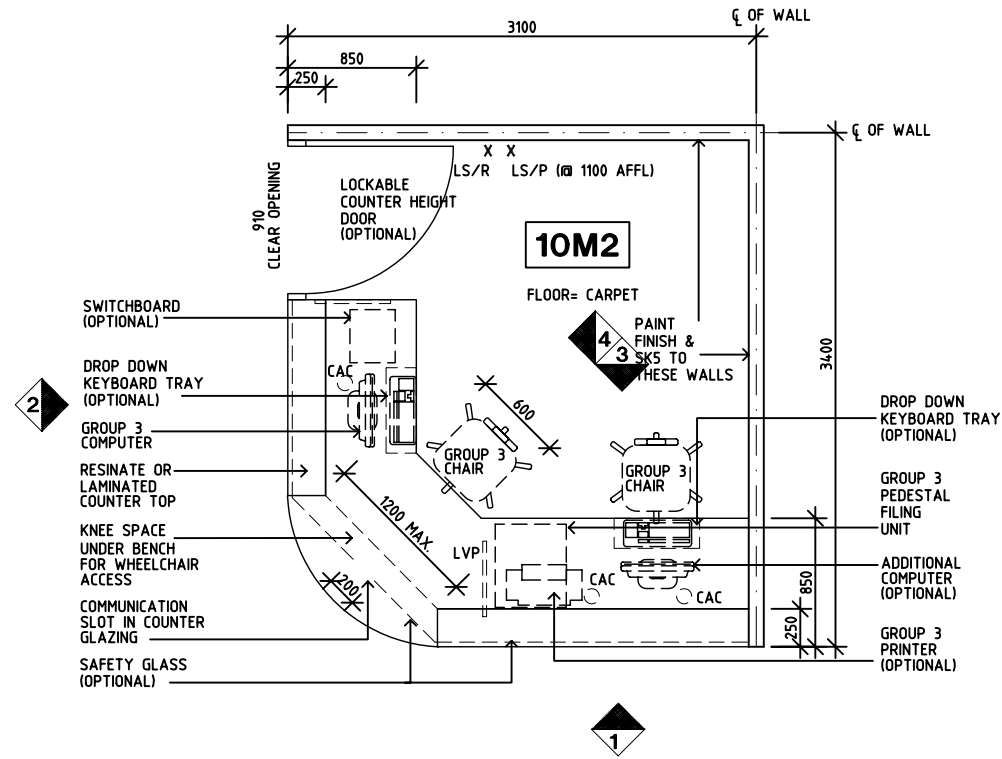
Room Layout Sheet

Room Name **Reception / Clerical, 10m2**

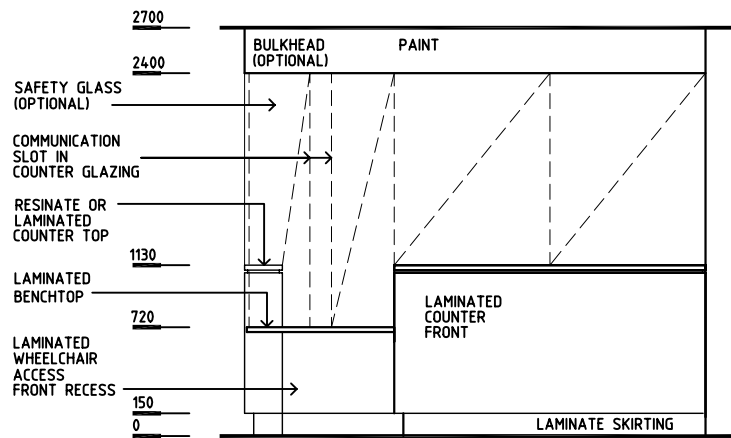
RLS Room Code **RECL-10**

RDS Room Code **RECL-10**

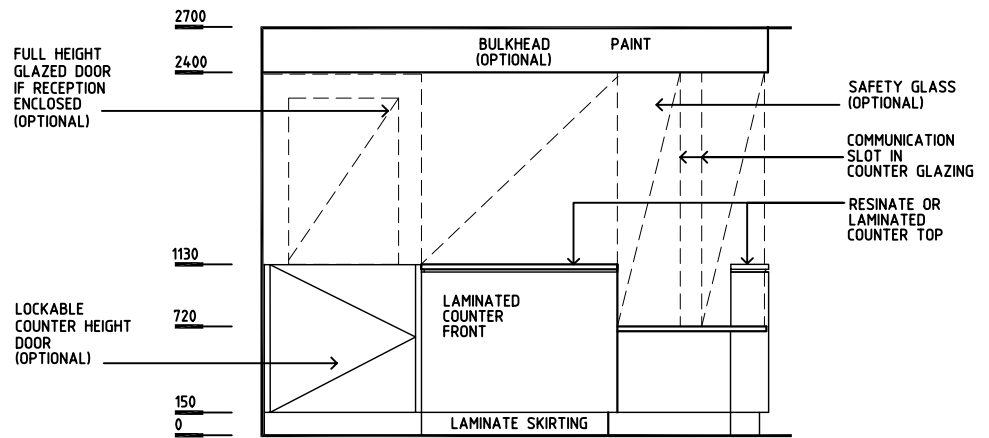
- CAC CABLE ACCESS CAP
- COM/PABX COMMUNICATION OUTLET FOR PABX
- COM/2 COMMUNICATION OUTLET, DOUBLE
- GPO/2 GENERAL PURPOSE OUTLET-DOUBLE
- LS/P LIGHT SWITCH - PELMET TASK LIGHT
- LS/R LIGHT SWITCH - ROOM
- LVP LAMINATED VERTICAL SUPPORT PANEL
- PB PINBOARD



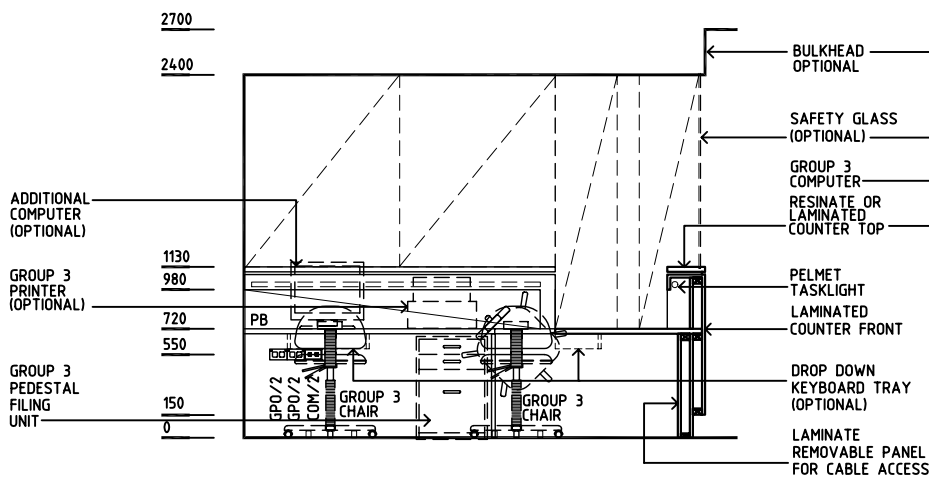
PLAN



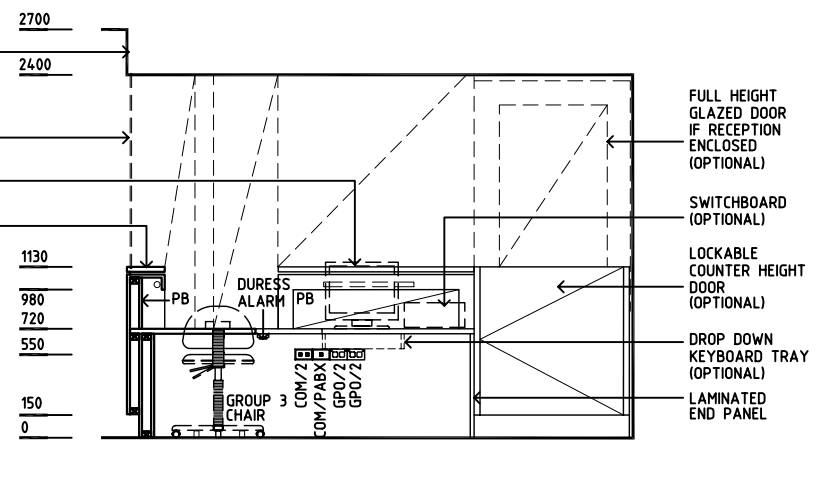
ELEVATION 1



ELEVATION 2



ELEVATION 3



ELEVATION 4

REV	DESCRIPTION	DATE	BY	REV	DESCRIPTION	DATE	BY	REV	DESCRIPTION	DATE	BY
1	FIRST ISSUE	8.12.03	CC								
2	GENERAL REVISIONS INCL NAME CHANGE	10.6.05	AL								



THE UNIVERSITY OF
NEW SOUTH WALES

HPI

DESIGNED	APPROVED	SCALE(S)	ZONE(S)
CC/JMH	DB	1:50 in A3	
CAD FILE NAME RECL-10		PAPER DRAWING ID RECL-10	