

# NSW HFG STANDARD COMPONENTS

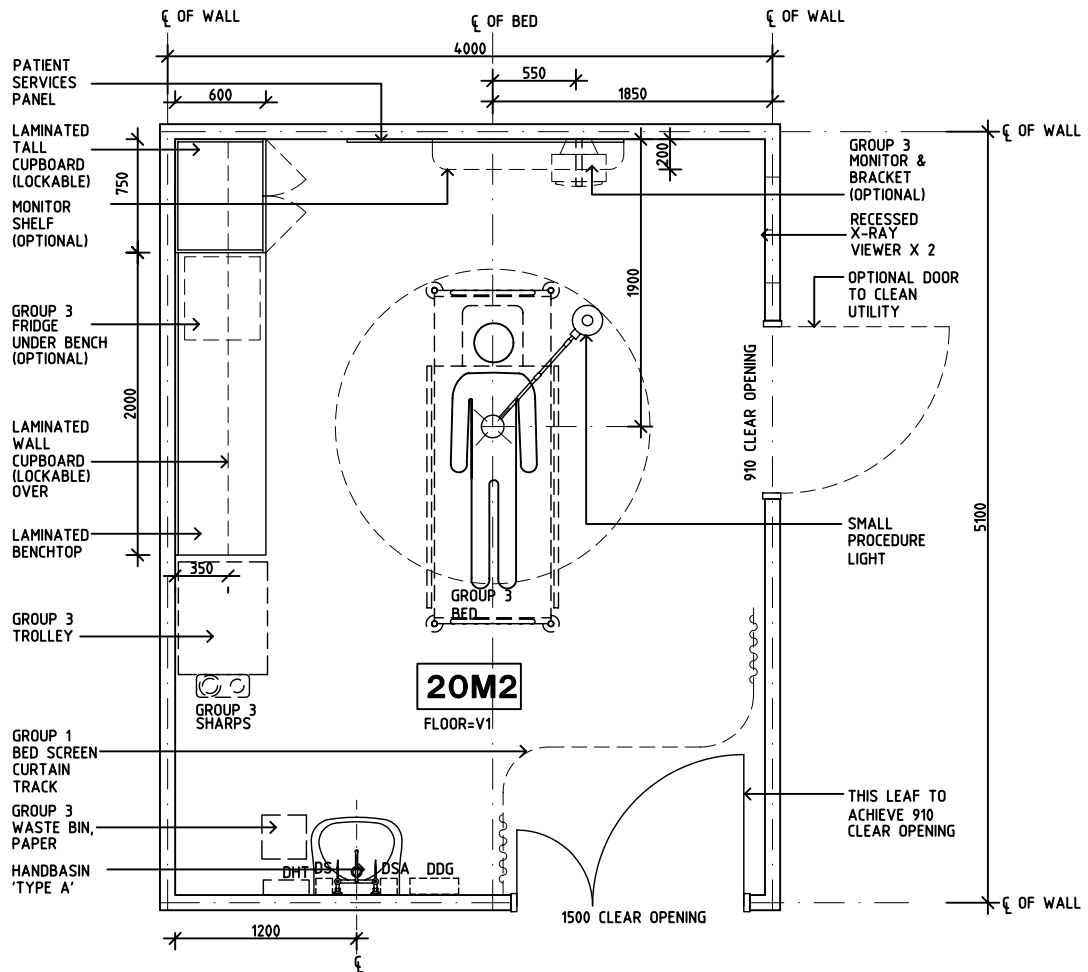
Room Layout Sheet

Room Name Procedure Room, 20m2

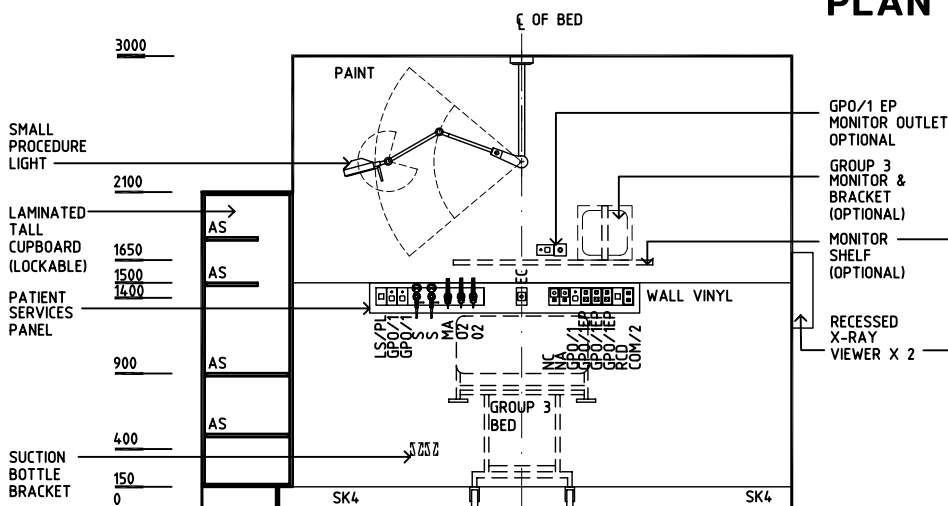
RLS Room Code PROC-20

RDS Room Code PROC-20

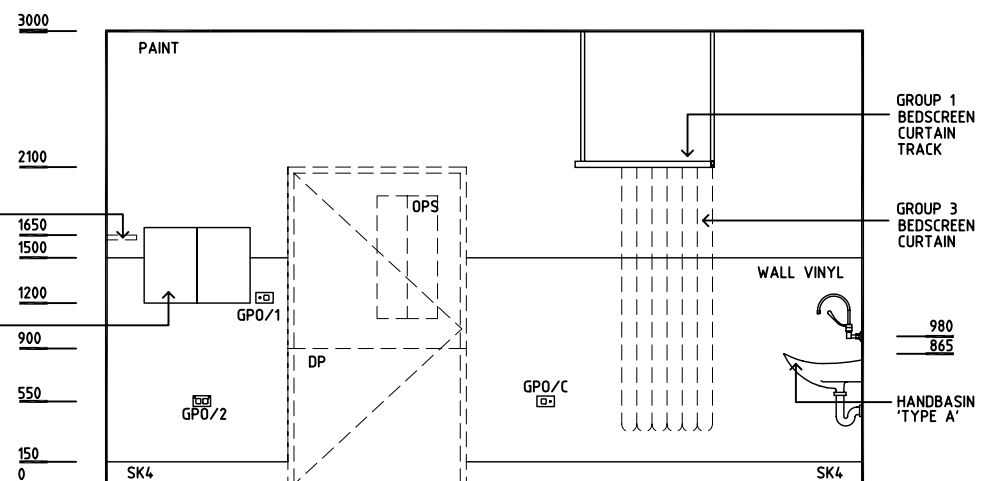
- AS ADJUSTABLE SHELF
- COM/2 COMMUNICATION OUTLET DOUBLE
- DP DOOR AND FRAME PROTECTION
- DDG DISPENSER - DISPOSABLE GLOVE
- DHT DISPENSER - HAND TOWEL
- DS DISPENSER - SOAP
- DSA DISPENSER - SOAP ANTISEPTIC
- EC EMERGENCY CALL
- GPO/1 GENERAL PURPOSE OUTLET SINGLE
- GPO/1 EP EMERGENCY POWER - SINGLE
- GPO/2 GENERAL PURPOSE OUTLET DOUBLE
- GPO/C GENERAL PURPOSE OUTLET - CLEANER
- LS/P LIGHT SWITCH - PROCEDURE LIGHT
- LS/R LIGHT SWITCH - ROOM
- MA MEDICAL AIR
- NA NURSE ASSIST CALL
- NC PATIENT/NURSE ASSIST
- O2 OXYGEN
- OPS OBSERVATION PANEL WITH SLIDING COVER
- RCD RESIDUAL CURRENT DEVICE
- SK4 FLOOR VINYL COVERED SKIRTING
- S SUCTION
- V1 VINYL FLOORING, STANDARD



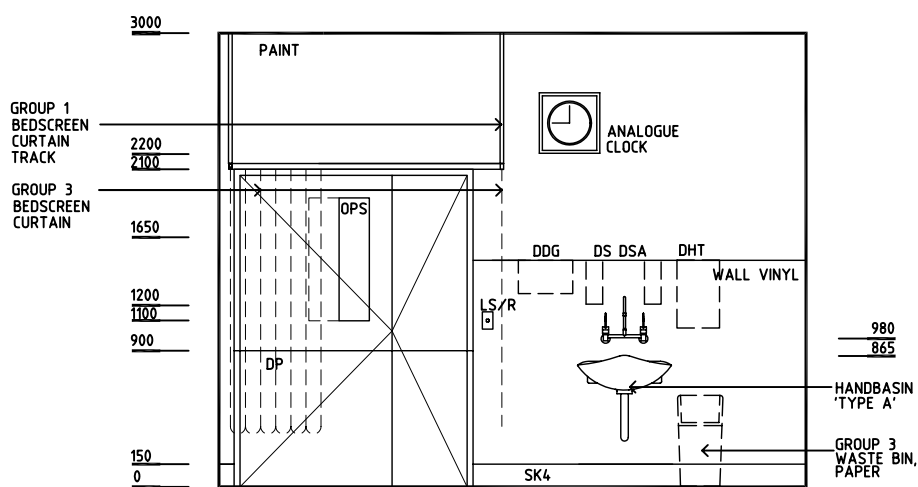
PLAN



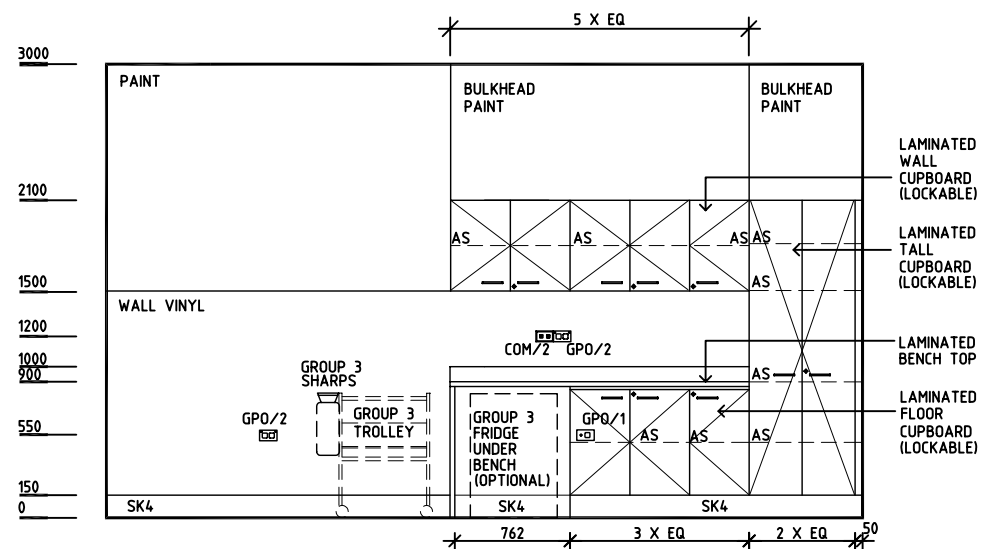
ELEVATION 1



ELEVATION 2



ELEVATION 3



ELEVATION 4

| REV | DESCRIPTION                        | DATE    | BY | REV | DESCRIPTION | DATE | BY | REV | DESCRIPTION | DATE | BY |
|-----|------------------------------------|---------|----|-----|-------------|------|----|-----|-------------|------|----|
| 1   | FIRST ISSUE                        | 2.12.03 | AL |     |             |      |    |     |             |      |    |
| 2   | GENERAL REVISIONS INCL NAME CHANGE | 7.6.05  | AL |     |             |      |    |     |             |      |    |



THE UNIVERSITY OF NEW SOUTH WALES

HPI

| DESIGNED      | APPROVED | SCALE(S)         | ZONE(S) |
|---------------|----------|------------------|---------|
| AL            | DB       | 1:50 in A3       |         |
| CAD FILE NAME |          | PAPER DRAWING ID |         |
| PROC-20       |          | PROC-20          |         |