

NSW HFG STANDARD COMPONENTS

Room Layout Sheet

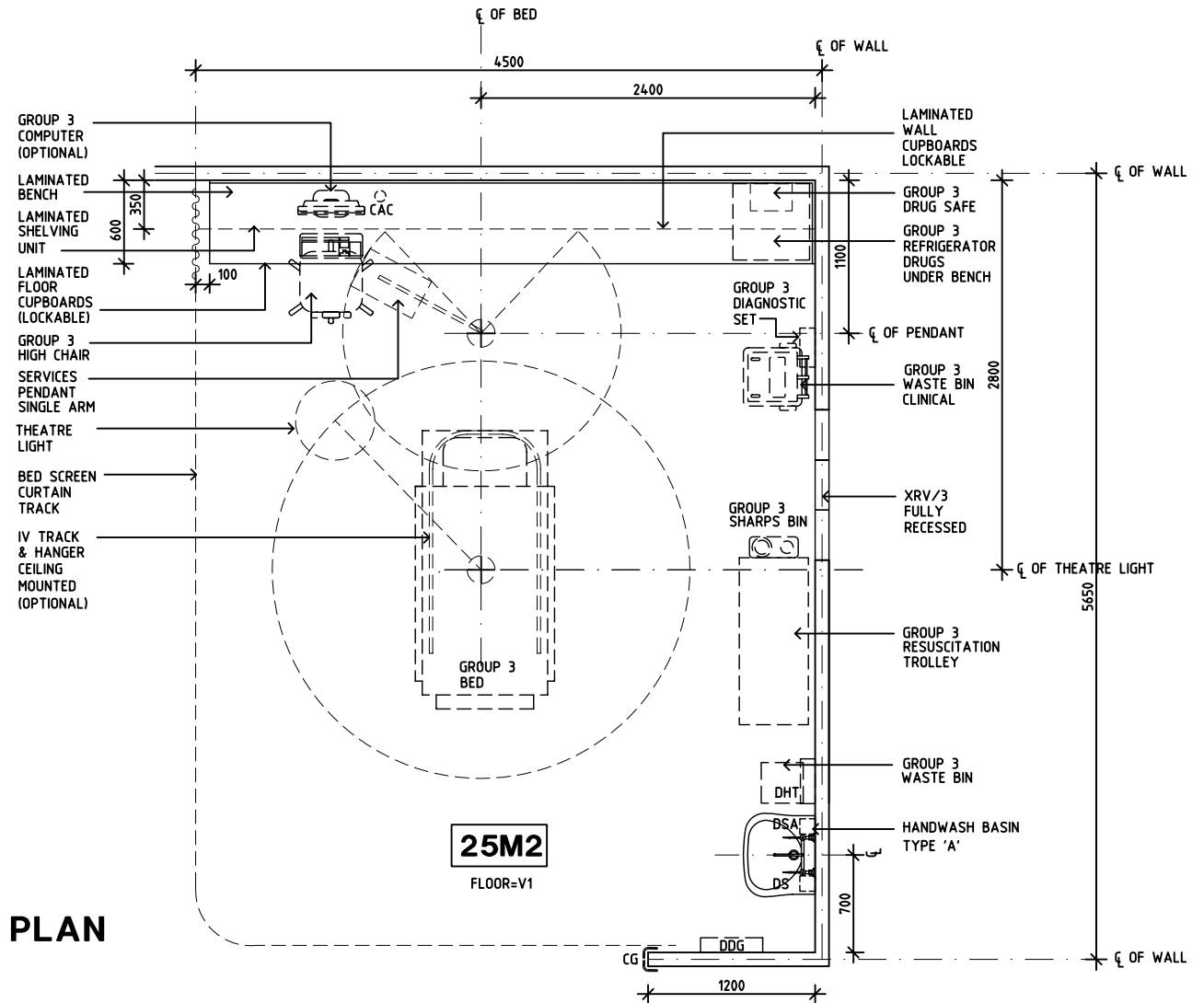
Room Name **Patient Bay - Resuscitation**

RLS Room Code **PBTR-R**

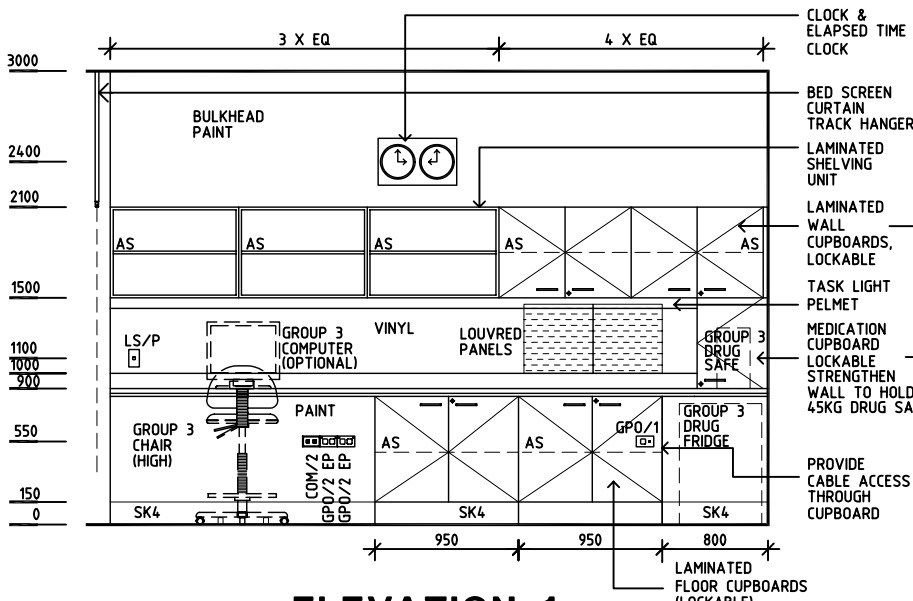
RDS Room Code **PBTR-R**

- AS ADJUSTABLE SHELF
- CAC CABLE ACCESS CAP
- CG CORNER GUARD
- CR CRASH RAIL
- COM/2 COMMUNICATION OUTLET - DOUBLE
- DDG DISPENSER - DISPOSABLE GLOVES
- DHT DISPENSER - HAND TOWEL
- DS DISPENSER - SOAP
- DSA DISPENSER - SOAP ANTISEPTIC
- GPO/1 GENERAL PURPOSE OUTLET - SINGLE
- GPO/2 EP EMERGENCY POWER - DOUBLE
- GPO/C GENERAL PURPOSE OUTLET - CLEANER'S
- SK4 FLOOR VINYL COVERED SKIRTING
- TMV THERMOSTATIC MIXING VALVE
- V1 VINYL FLOORING, STANDARD
- XRV/3 X-RAY VIEWER, 3 SCREENS

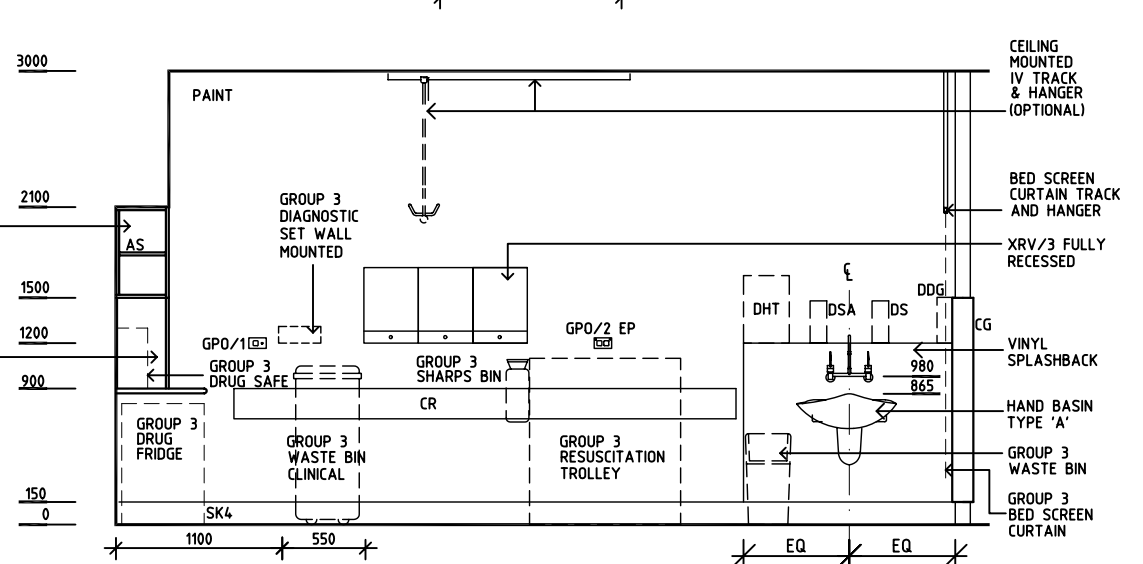
- SERVICE PENDANT:
- 1 x EMERGENCY CALL
 - 1 x NURSE ASSIST CALL
 - 1 x PATIENT/NURSE CALL
 - 16 x GPO/1 EMERGENCY POWER
 - 3 x OXYGEN
 - 2 x MEDICAL AIR
 - 1 x NITROUS OXIDE (OPTIONAL)
 - 3 x SUCTION
 - 1 x SCAVENGE OUTLET (OPTIONAL)
 - 1 x MONITOR CONNECTION (OPTIONAL)
 - 1 x COM/2



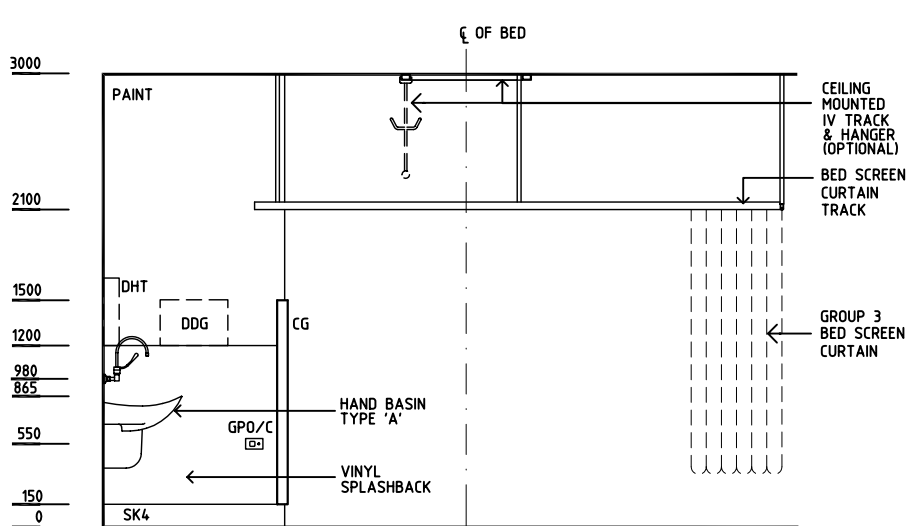
PLAN



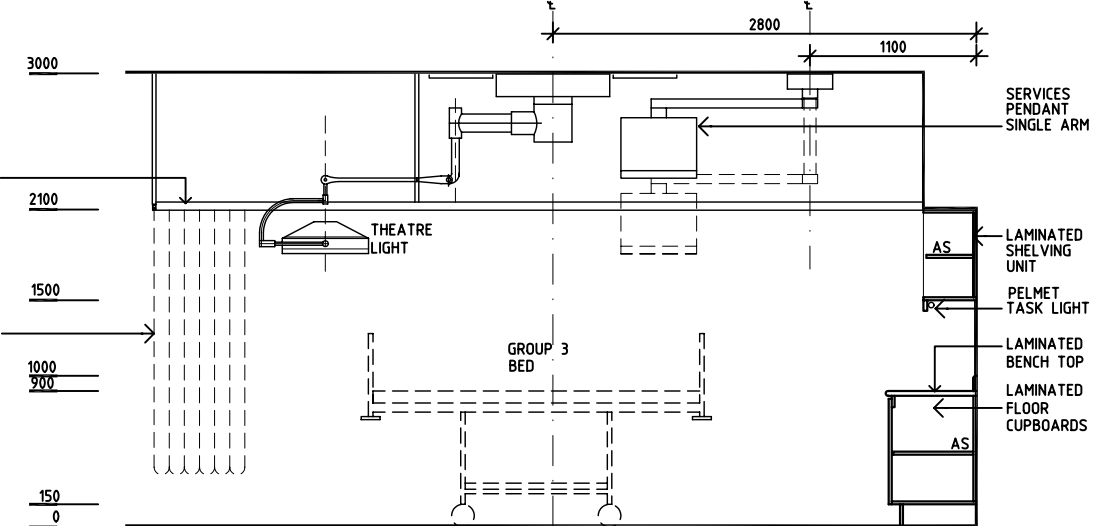
ELEVATION 1



ELEVATION 2



ELEVATION 3



ELEVATION 4

REV	DESCRIPTION	DATE	BY	REV	DESCRIPTION	DATE	BY	REV	DESCRIPTION	DATE	BY
1	FIRST ISSUE	20.11.03	CC								
2	DRAWING REVISED	4.3.05	JMH								
3	GENERAL REVISIONS	16.5.05	AL								



THE UNIVERSITY OF
NEW SOUTH WALES

HPI

DESIGNED CC/AL	APPROVED DB	SCALE(S) 1:50 in A3	ZONE(S)
CAD FILE NAME PBTR-R		PAPER DRAWING ID PBTR-R	