

NSW HFG STANDARD COMPONENTS

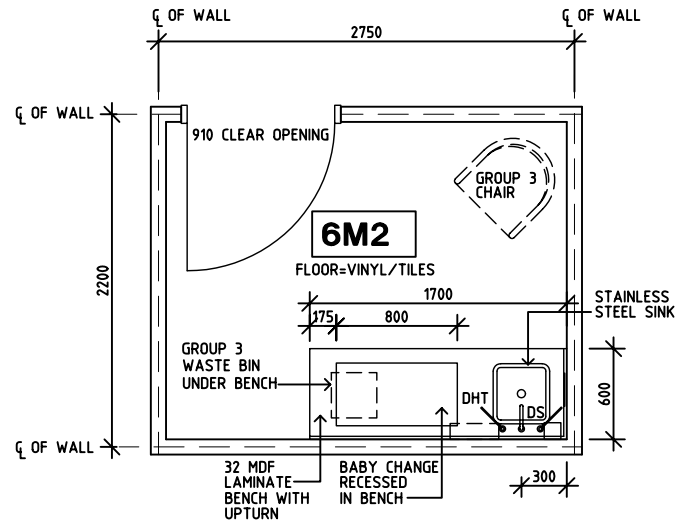
Room Layout Sheet

Room Name **Parenting Room**

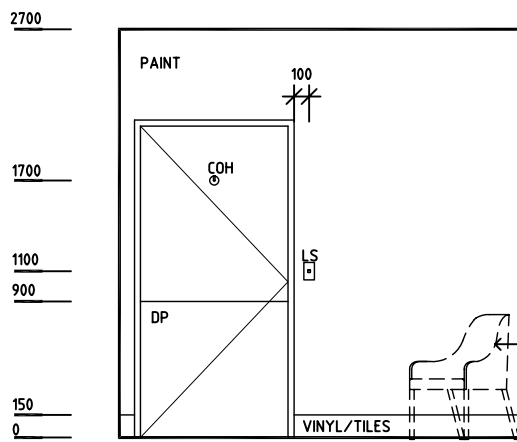
RLS Room Code **PAR**

RDS Room Code **PAR**

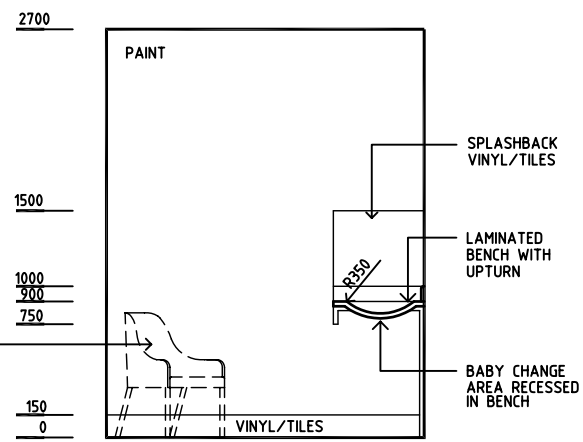
- CH COAT HOOK
- DHT DISPENSER - HAND TOWEL
- DP DOOR & FRAME PROTECTION
- DS DISPENSER - SOAP
- GPO/2 GENERAL PURPOSE OUTLET, DOUBLE
- LS LIGHT SWITCH



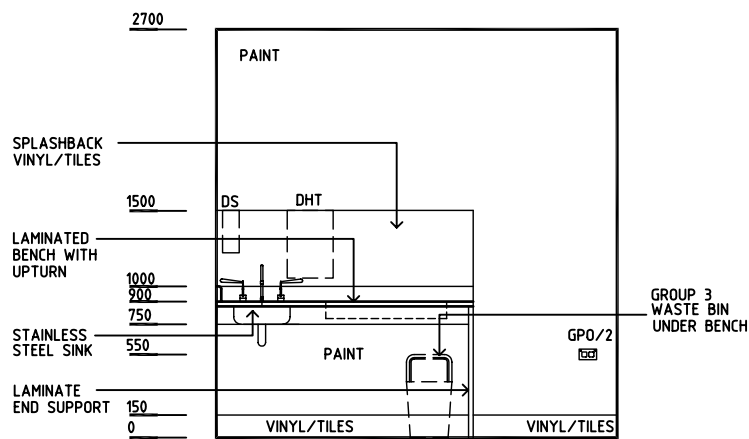
PLAN



ELEVATION 1



ELEVATION 2



ELEVATION 3

REV	DESCRIPTION	DATE	BY	REV	DESCRIPTION	DATE	BY	REV	DESCRIPTION	DATE	BY
1	FIRST ISSUE	10.6.05	AL								