

NSW HFG STANDARD COMPONENTS

Room Layout Sheet

Room Name **Operating Room - General**

RLS Room Code **ORGN**

RDS Room Code **ORGN**

- AM ANAESTHETIC MACHINE
- AT ANAESTHETIC TROLLEY
- BS BOWL STAND
- COM/2 COMMUNICATION OUTLET - DOUBLE
- DIA DIATHERMY
- DGL DOUBLE GLAZED WITH INTEGRAL VENETIAN BLINDS
- DDG DISPENSER - DISPOSABLE GLOVE
- DP DOOR AND FRAME PROTECTION
- EPJ EQUIPOTENTIAL JUNCTION BOX
- GPO/1 GENERAL PURPOSE OUTLET - SINGLE
- GPO/1 EP EMERGENCY POWER - SINGLE
- GPO/2 GENERAL PURPOSE OUTLET - DOUBLE
- GPO/C GENERAL PURPOSE OUTLET - SINGLE, CLEANER
- GT GOWNING TROLLEY
- IV INTRAVENOUS STAND
- IT INSTRUMENT TROLLEY
- KB KICK BUCKET
- MT MAYO TABLE
- OPS OBSERVATION PANEL WITH SLIDING PANEL
- PC2 90 mm PLASTERBOARD CORNICE - FLUSH
- RA RETURN AIR
- RCD RESIDUAL CURRENT DEVICE
- SK4 FLOOR VINYL COVERED SKIRTING
- SR SCRUB RESISTANT
- ST STOOL
- V1 VINYL FLOORING, STANDARD
- WB WHITEBOARD

SERVICES PANEL P1

- GPO/1 EP X 3
- RCD
- SURGICAL TOOL AIR CONTROL PANEL
- TOURNIQUET AIR & CONTROL PANEL
- GAS ALARM MONITOR
- EPJ PANEL

SERVICES PANEL P2

- CLOCKS CONTROLS
- GPO/1 X 2
- RCD
- LIGHT SWITCHES
- OPERATING LIGHT CONTROLS

SERVICES PANEL P3

- GPO/1 X 1
- GPO 20AMP (OPTIONAL)
- RCD

SERVICES PANEL P4

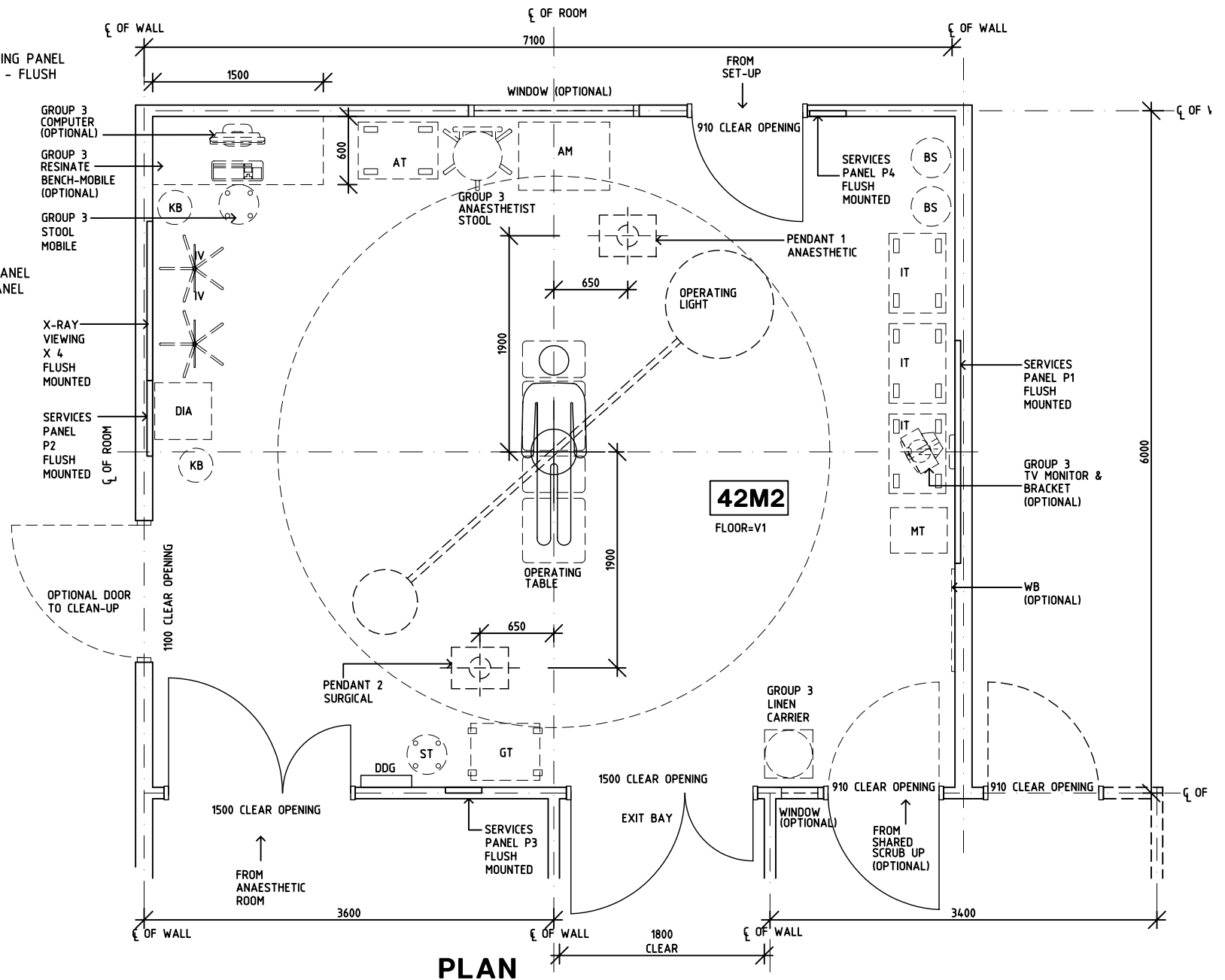
- NURSE/STAFF ASSIST CALL
- PORTER CALL (OPTIONAL)
- EMERGENCY CALL
- LASER-IN-USE INDICATOR

PENDANT 1 ANAESTHETIC

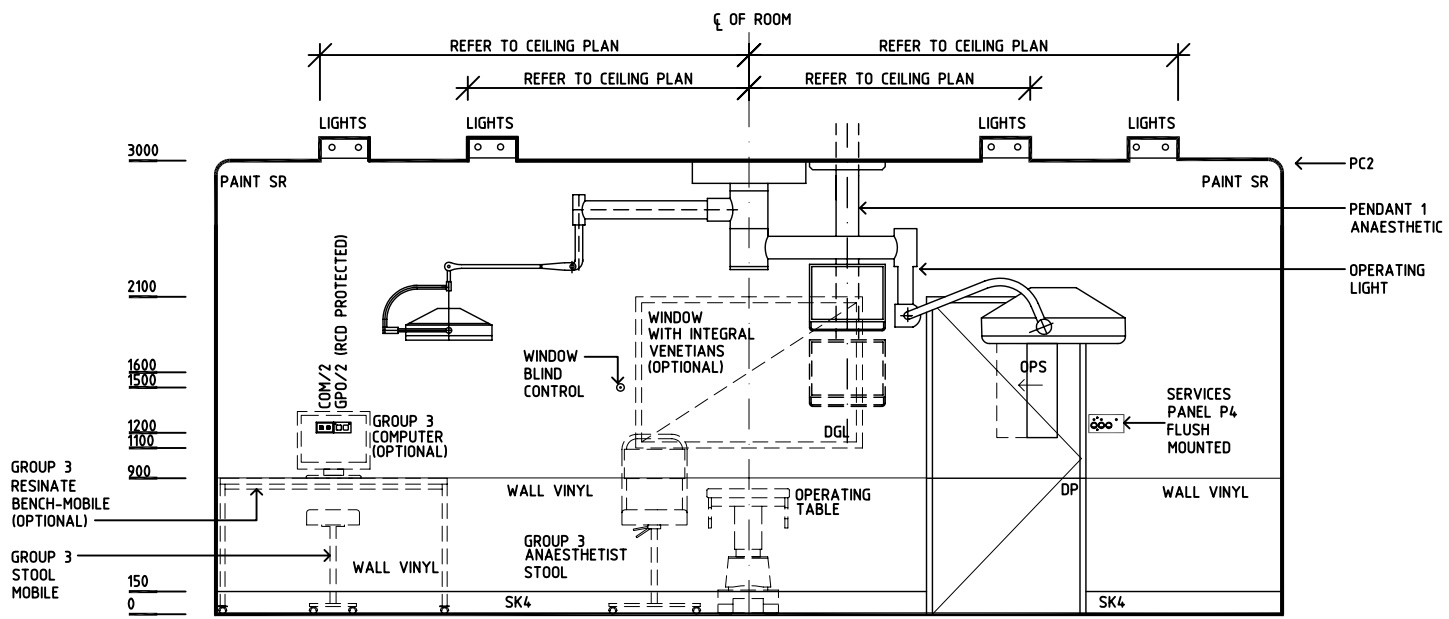
- COM/2
- GPO/1 X 4
- GPO/1 EP X 4
- RCD
- OXYGEN x 2
- NITROUS OXIDE x 1
- MEDICAL AIR x 1
- SUCTION X 2
- SCAVENGE x 1
- TOOL AIR X 1

PENDANT 2 SURGICAL

- COM/2
- GPO/1 X 4
- GPO/1 EP X 4
- RCD
- OXYGEN x 2
- NITROUS OXIDE x 1
- MEDICAL AIR x 1
- SUCTION X 2
- SCAVENGE x 1
- TOOL AIR X 1



PLAN



ELEVATION 1

REV	DESCRIPTION	DATE	BY	REV	DESCRIPTION	DATE	BY	REV	DESCRIPTION	DATE	BY
1	FIRST ISSUE	1.12.03	CC								
2	DRAWING REVISED	26.5.05	AL								
3	LIGHTING & PENDANT POSITIONS REVISED	07.03.06	BST								

		DESIGNED	APPROVED	SCALE(S)	ZONE(S)
		CC/BJ/BST	DB	1:50 in A3	
		CAD FILE NAME		PAPER DRAWING ID	
ORGN		ORGNa			

NSW HFG STANDARD COMPONENTS

Room Layout Sheet

Room Name **Operating Room - General**

RLS Room Code **ORGN**

RDS Room Code **ORGN**

- AM ANAESTHETIC MACHINE
- AT ANAESTHETIC TROLLEY
- BS BOWL STAND
- COM/2 COMMUNICATION OUTLET - DOUBLE
- DIA DIATHERMY
- DGL DOUBLE GLAZED WITH INTEGRAL VENETIAN BLINDS
- DDG DISPENSER - DISPOSABLE GLOVE
- DP DOOR AND FRAME PROTECTION
- EPJ EQUIPOTENTIAL JUNCTION BOX
- GPO/1 GENERAL PURPOSE OUTLET - SINGLE
- GPO/1 EP EMERGENCY POWER - SINGLE
- GPO/2 GENERAL PURPOSE OUTLET - DOUBLE
- GPO/C GENERAL PURPOSE OUTLET - SINGLE, CLEANER
- GT GOWNING TROLLEY
- IV INTRAVENOUS STAND
- IT INSTRUMENT TROLLEY
- KB KICK BUCKET
- MT MAYO TABLE
- OPS OBSERVATION PANEL WITH SLIDING PANEL
- PC2 90 mm PLASTERBOARD CORNICE - FLUSH
- RA RETURN AIR
- RCD RESIDUAL CURRENT DEVICE
- SK4 FLOOR VINYL COVED SKIRTING
- SR SCRUB RESISTANT
- ST STOOL
- V1 VINYL FLOORING, STANDARD
- WB WHITEBOARD

- SERVICES PANEL P1
- GPO/1 EP X 3
 - RCD
 - SURGICAL TOOL AIR CONTROL PANEL
 - TOURNIQUET AIR & CONTROL PANEL
 - GAS ALARM MONITOR
 - EPJ PANEL

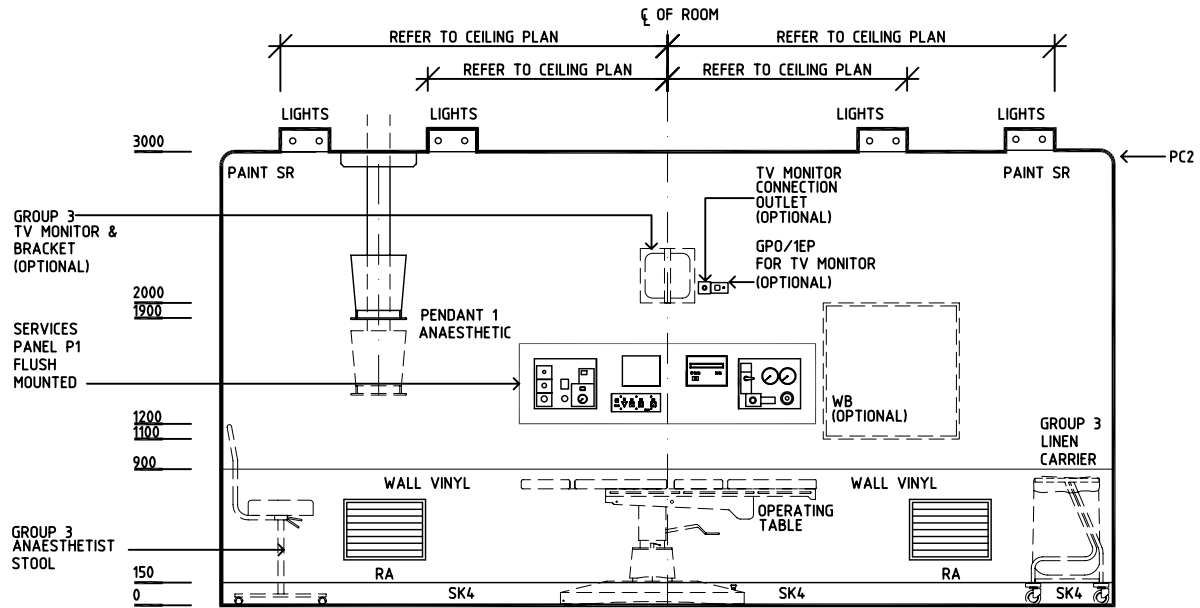
- SERVICES PANEL P2
- CLOCKS CONTROLS
 - GPO/1 X 2
 - RCD
 - LIGHT SWITCHES
 - OPERATING LIGHT CONTROLS

- SERVICES PANEL P3
- GPO/1 X 1
 - GPO 20AMP (OPTIONAL)
 - RCD

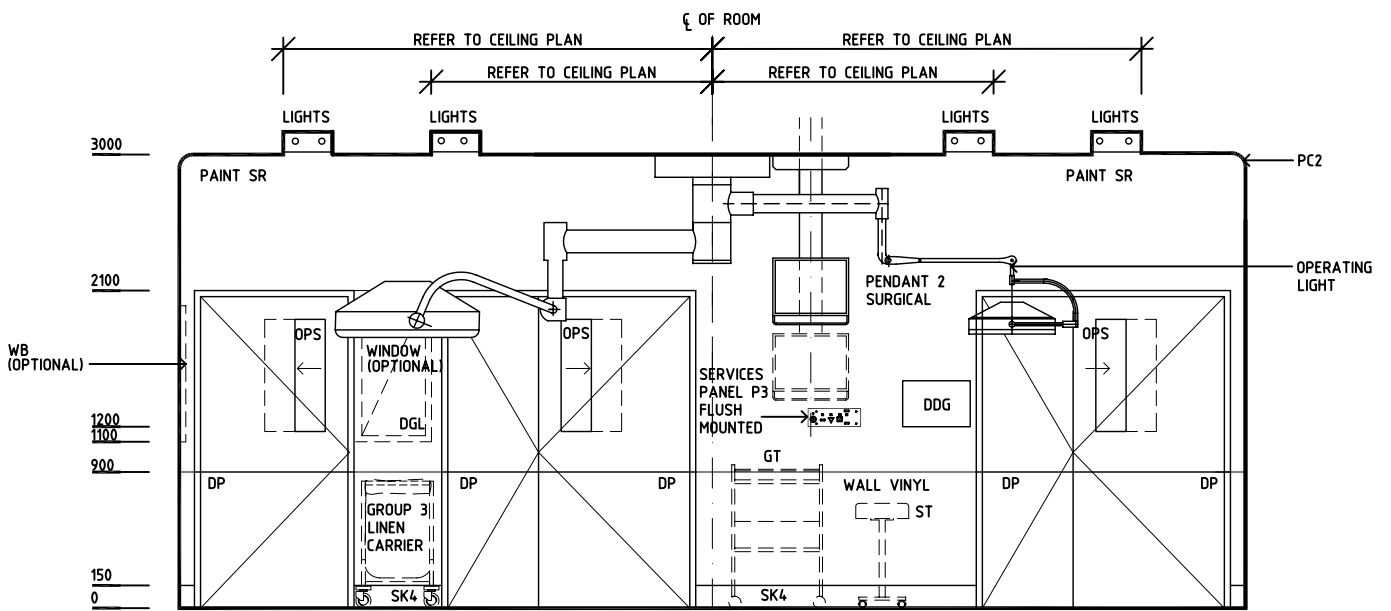
- SERVICES PANEL P4
- NURSE/STAFF ASSIST CALL
 - PORTER CALL (OPTIONAL)
 - EMERGENCY CALL
 - LASER-IN-USE INDICATOR

- PENDANT 1 ANAESTHETIC
- COM/2
 - GPO/1 X 4
 - GPO/1 EP X 4
 - RCD
 - OXYGEN x 2
 - NITROUS OXIDE x 1
 - MEDICAL AIR x 1
 - SUCTION X 2
 - SCAVENGE x 1
 - TOOL AIR X 1

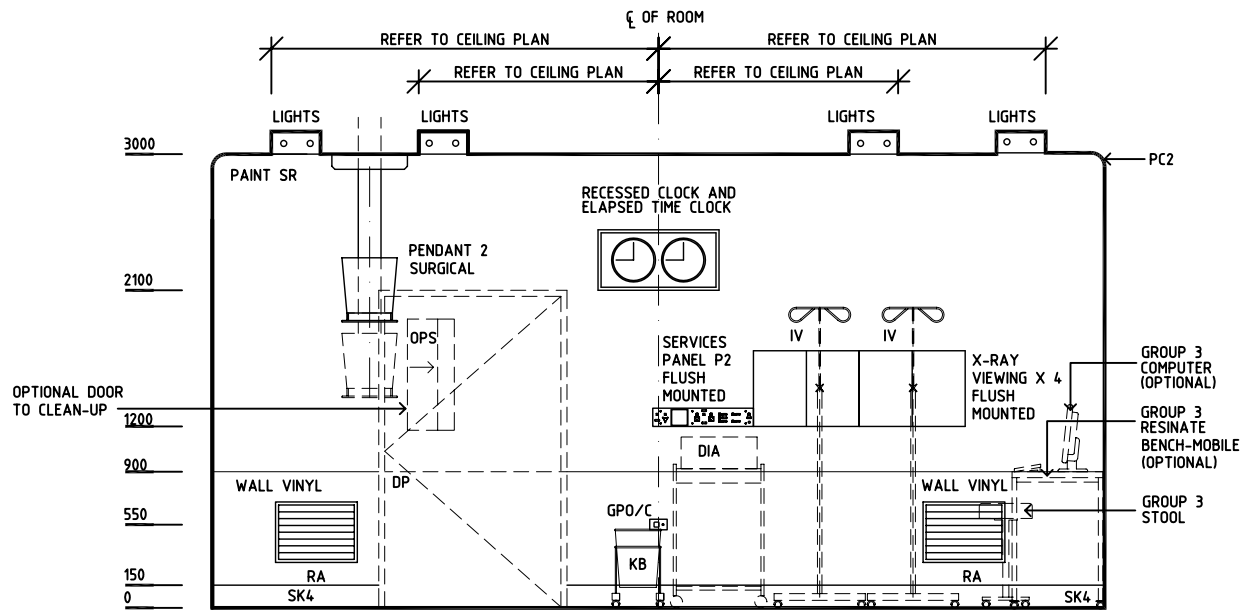
- PENDANT 2 SURGICAL
- COM/2
 - GPO/1 X 4
 - GPO/1 EP X 4
 - RCD
 - OXYGEN x 2
 - NITROUS OXIDE x 1
 - MEDICAL AIR x 1
 - SUCTION X 2
 - SCAVENGE x 1
 - TOOL AIR X 1



ELEVATION 2



ELEVATION 3



ELEVATION 4



REV	DESCRIPTION	DATE	BY	REV	DESCRIPTION	DATE	BY	REV	DESCRIPTION	DATE	BY
1	FIRST ISSUE	1.12.03	CC								
2	DRAWING REVISED	26.5.05	AL								
3	LIGHTING & PENDANT POSITIONS REVISED	07.03.06	BST								