

NSW HFG STANDARD COMPONENTS

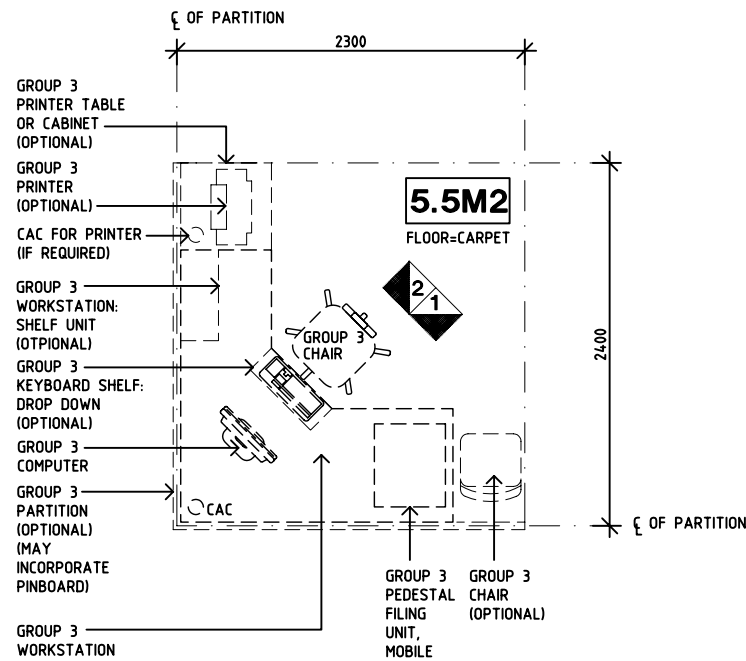
Room Layout Sheet

Room Name **Office - Workstation**

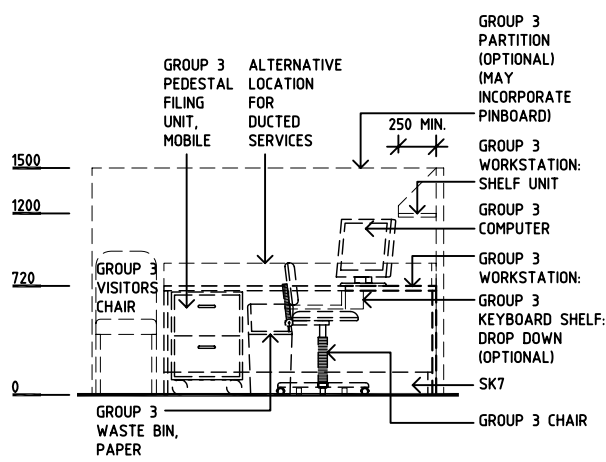
RLS Room Code **OFF-WS**

RDS Room Code **OFF-WS**

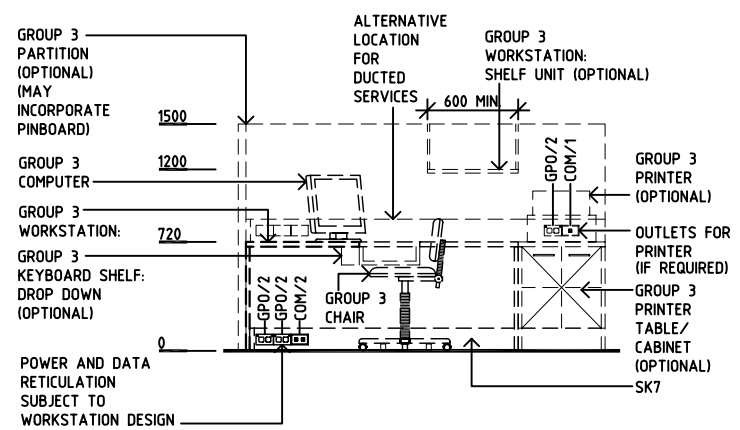
- CAC CABLE ACCESS CAP
- COM/1 COMMUNICATION OUTLET - SINGLE
- COM/2 COMMUNICATION OUTLET - DOUBLE
- GPO/2 GENERAL PURPOSE OUTLET - DOUBLE
- SK7 POWDERCOAT METAL SKIRTING FOR DUCTED SERVICES



PLAN



ELEVATION 1



ELEVATION 2

REV	DESCRIPTION	DATE	BY	REV	DESCRIPTION	DATE	BY	REV	DESCRIPTION	DATE	BY
1	FIRST ISSUE	12.12.03	AL								
2	GENERAL REVISIONS	19.12.03	CC								
3	GENERAL REVISIONS	27.5.05	HS								