

NSW HFG STANDARD COMPONENTS

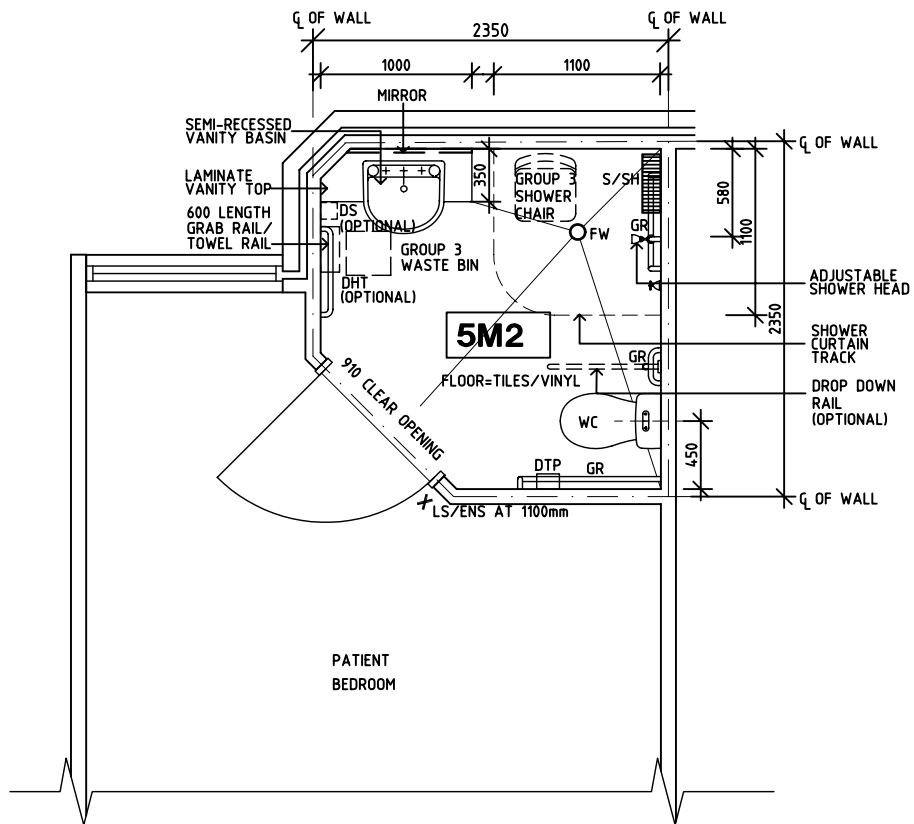
Room Layout Sheet

Room Name **Ensuite - Outboard**

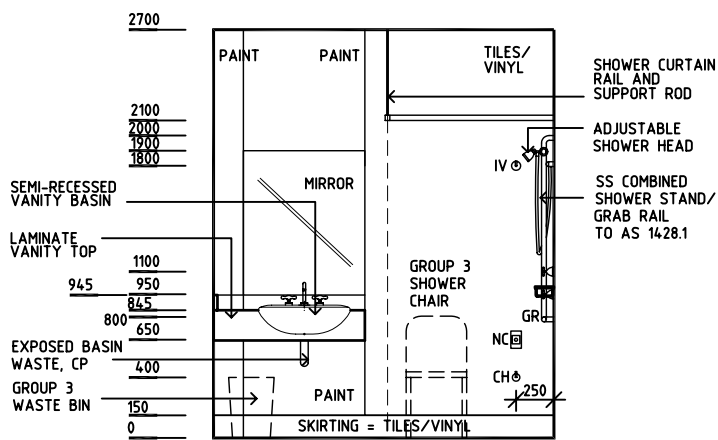
RLS Room Code **ENS-ST-B**

RDS Room Code **ENS-ST**

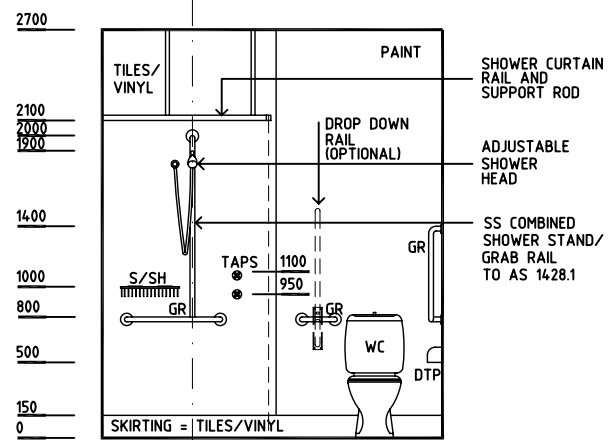
- CH CATHETER HOOK
- COH COAT HOOK
- CP CHROME PLATED
- DHT DISPENSER - HAND TOWEL
- DP DOOR AND DOOR FRAME PROTECTION
- DS DISPENSER - SOAP
- DTP DISPENSER - TOILET PAPER
- EC EMERGENCY CALL
- FW FLOOR WASTE
- GPO/2 GENERAL POWER OUTLET, DOUBLE
- GR GRAB RAIL
- IV IV HOOK
- LS LIGHT SWITCH
- NA NURSE ASSIST CALL
- NC PATIENT NURSE CALL
- RCD RESIDUAL CURRENT DEVICE
- S/SH SOAP AND SHAMPOO HOLDER



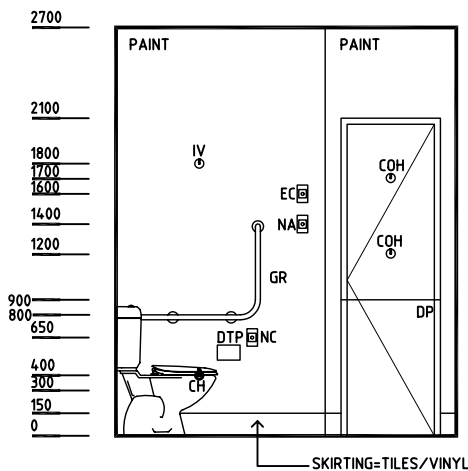
PLAN



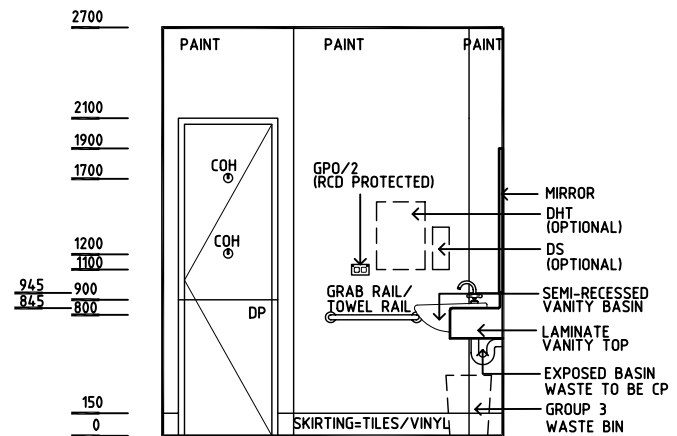
ELEVATION 1



ELEVATION 2



ELEVATION 3



ELEVATION 4

REV	DESCRIPTION	DATE	BY	REV	DESCRIPTION	DATE	BY	REV	DESCRIPTION	DATE	BY
1	FIRST ISSUE	10.10.03	CC	4	GENERAL REVISIONS INCL NAME CHANGE	19.5.05	AL				
2	NURSE ASSIST BUTTONS AND MIRROR REVISED	28.10.03	CC								
3	GENERAL REVISIONS	9.5.05	AL								

DESIGNED	APPROVED	SCALE(S)	ZONE(S)
CC/AL	DB	1:50 in A3	
CAD FILE NAME ENS-ST-B		PAPER DRAWING ID ENS-ST-B	