

NSW HFG STANDARD COMPONENTS

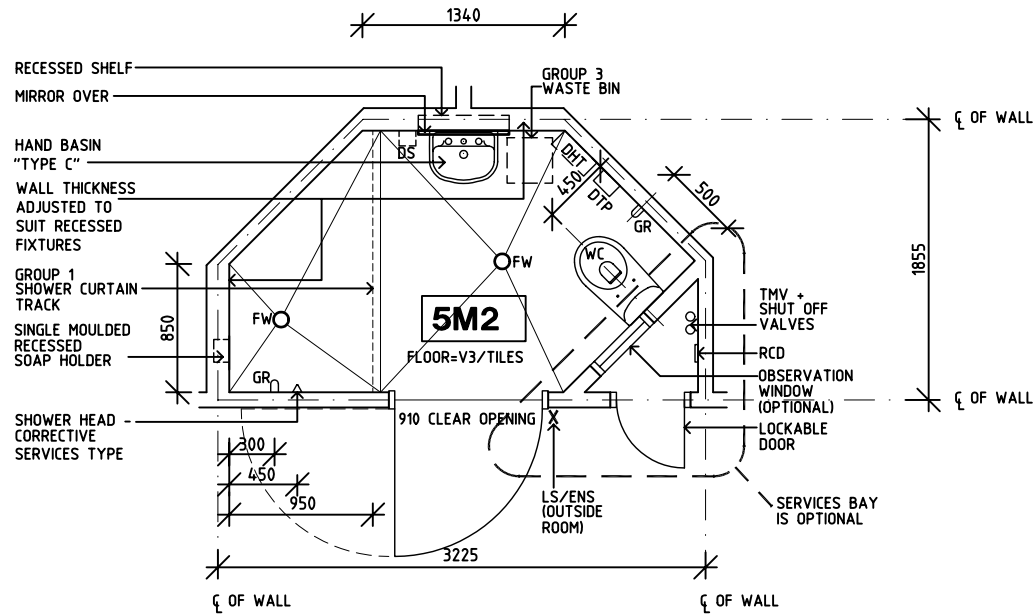
Room Layout Sheet

Room Name **Ensuite - Mental Health (Inboard - Access from Corridor)**

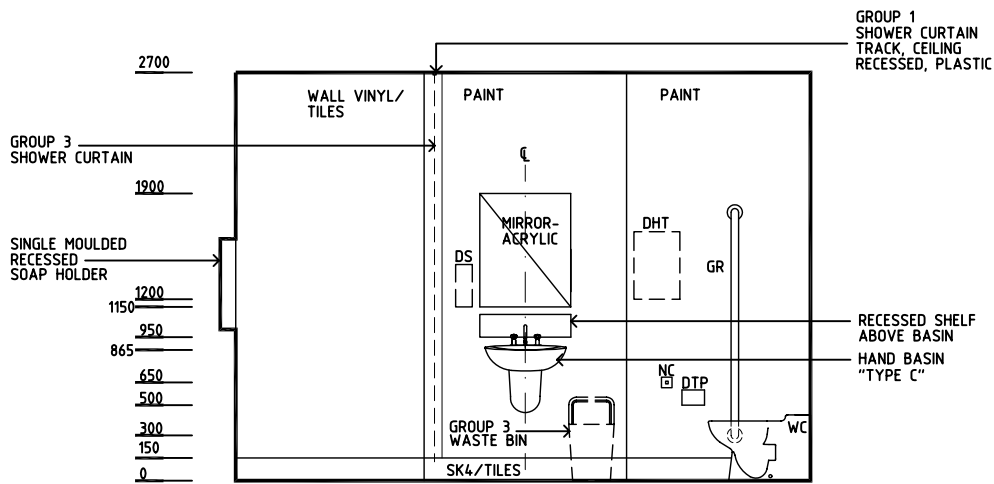
RLS Room Code **ENS-MH-B**

RDS Room Code **ENS-MH**

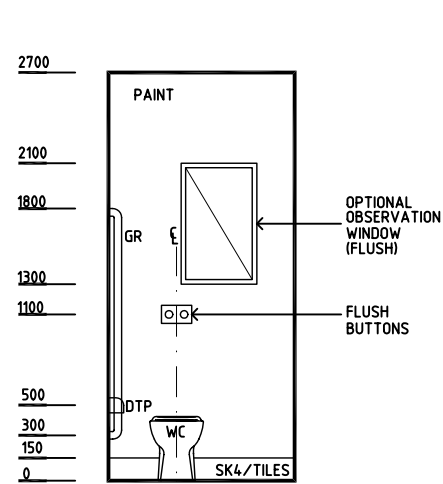
- DHT DISPENSER - HAND TOWEL
- DP DOOR AND DOOR FRAME PROTECTION
- DS DISPENSER - SOAP
- DTP DISPENSER - TOILET PAPER
- FW FLOOR WASTE
- GR GRAB RAIL
- LS/ENS LIGHT SWITCH - ENSUITE
- NC PATIENT NURSE CALL
- S/SH SOAP/SHAMPOO HOLDER
- SK4 FLOOR VINYL COVED SKIRTING
- V3 FLOOR VINYL, STUDDED



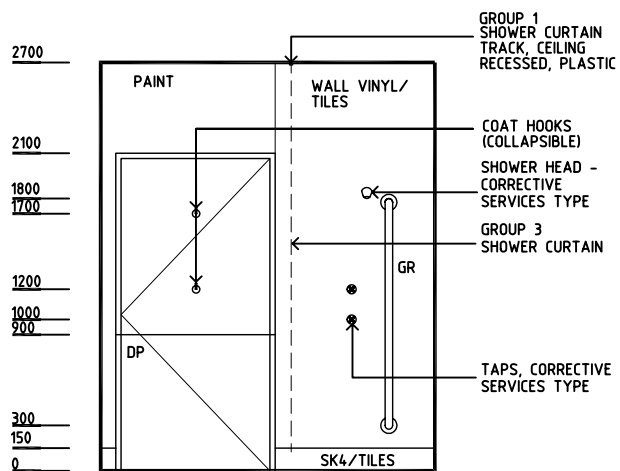
PLAN



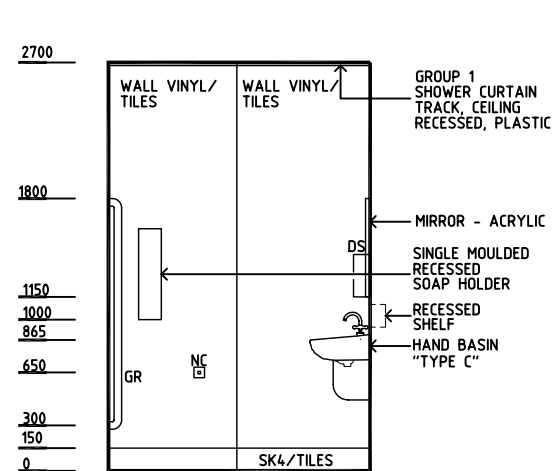
ELEVATION 1



ELEVATION 2



ELEVATION 3



ELEVATION 4

REV	DESCRIPTION	DATE	BY	REV	DESCRIPTION	DATE	BY	REV	DESCRIPTION	DATE	BY
1	FIRST ISSUE	23.5.05	CC								