

NSW HFG STANDARD COMPONENTS

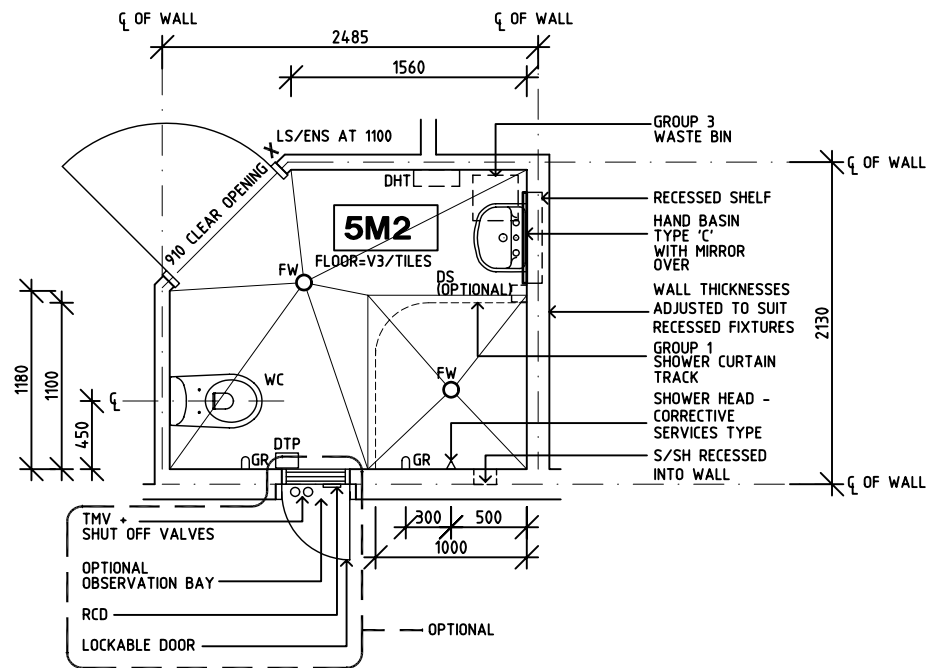
Room Layout Sheet

Room Name **Ensuite - Mental Health (Inboard - for 1 Bed Room)**

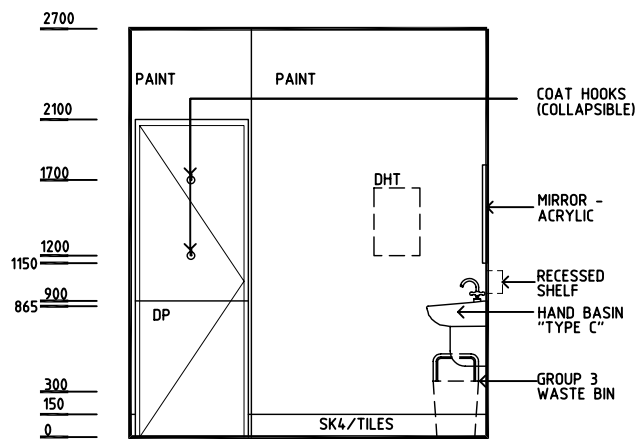
RLS Room Code **ENS-MH-A**

RDS Room Code **ENS-MH**

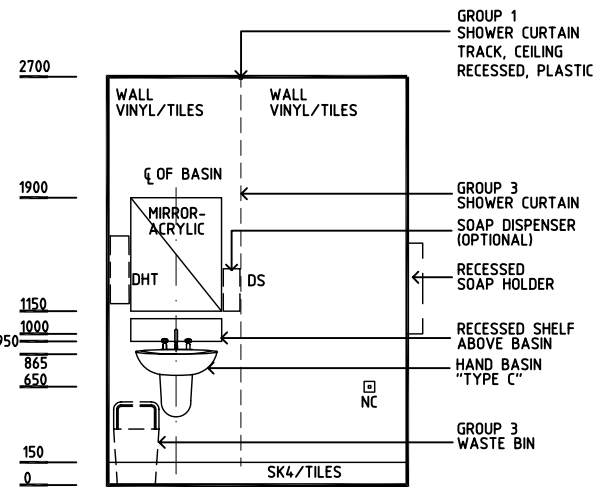
- DHT DISPENSER - HAND TOWEL
- DP DOOR + DOOR FRAME PROTECTION
- DS DISPENSER SOAP
- DTP DISPENSER - TOILET PAPER
- FW FLOOR WASTE
- GR GRAB RAIL
- LS/ENS LIGHT SWITCH - ENSUITE
- NC PATIENT NURSE CALL
- RCD RESIDUAL CURRENT DEVICE
- TMV THERMOSTATIC MIXING VALVE
- V3 FLOOR VINYL, STUDDED
- SK4 FLOOR VINYL COVERED, SKIRTING



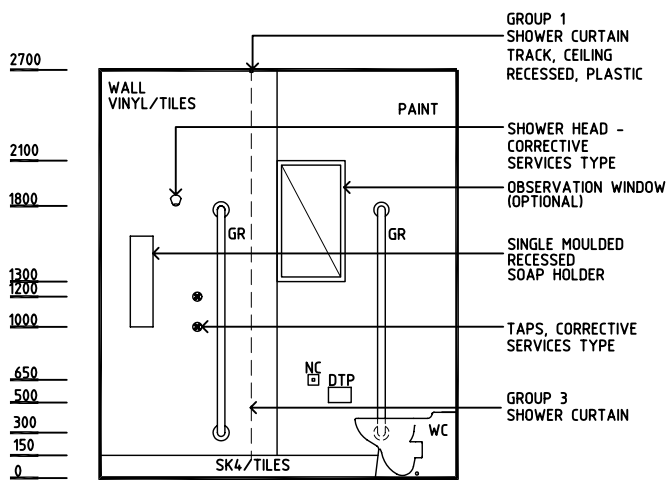
PLAN



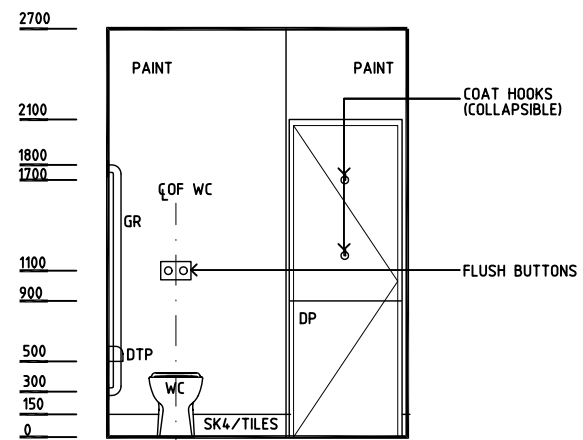
ELEVATION 1



ELEVATION 2



ELEVATION 3



ELEVATION 4

REV	DESCRIPTION	DATE	BY	REV	DESCRIPTION	DATE	BY	REV	DESCRIPTION	DATE	BY
1	FIRST ISSUE	23.05	CC								

DESIGNED CC/BJ	APPROVED DB	SCALE(S) 1:50 in A3	ZONE(S)
CAD FILE NAME ENS-MH-A		PAPER DRAWING ID ENS-MH-A	