

NSW HFG STANDARD COMPONENTS

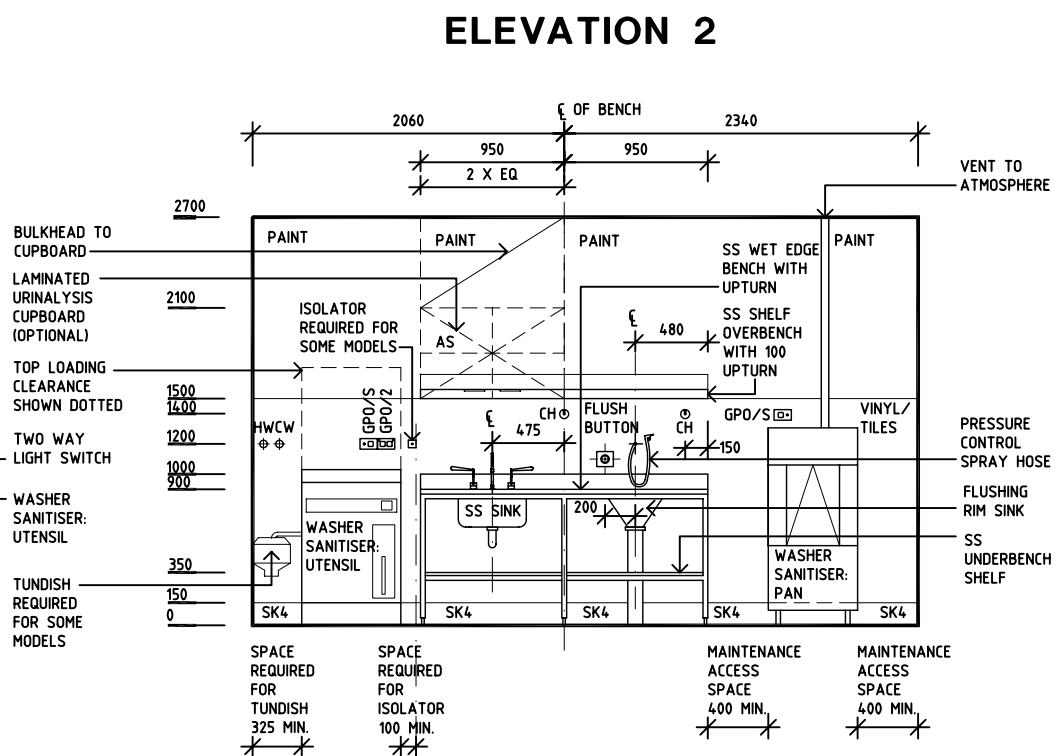
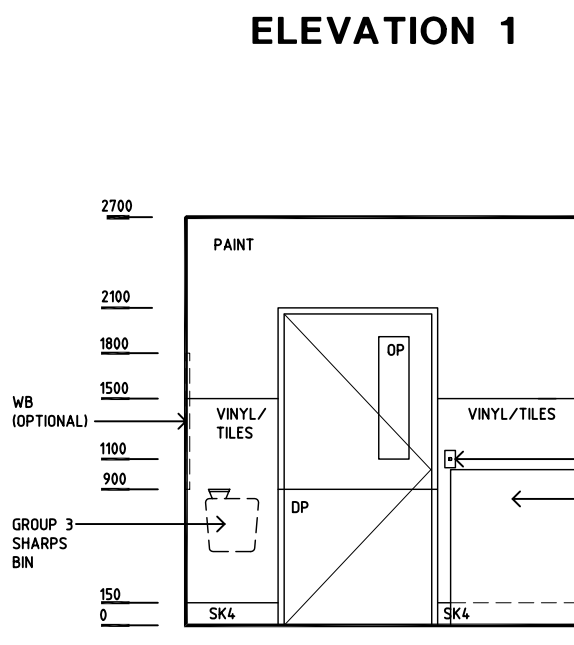
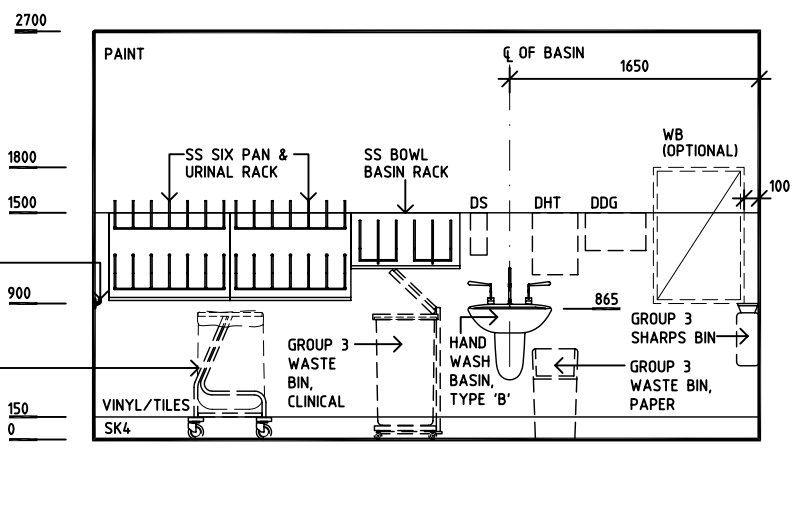
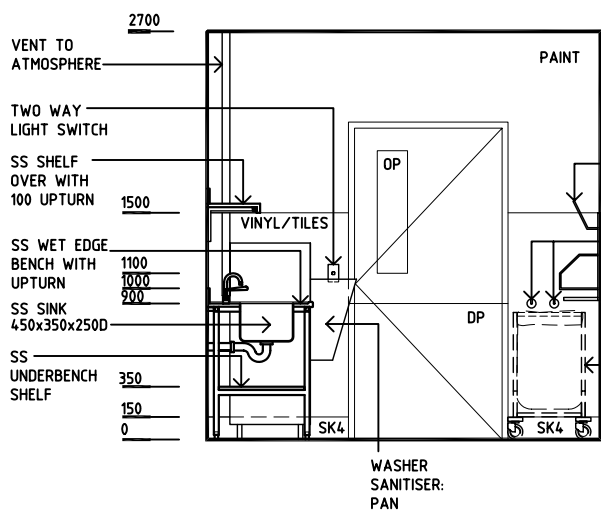
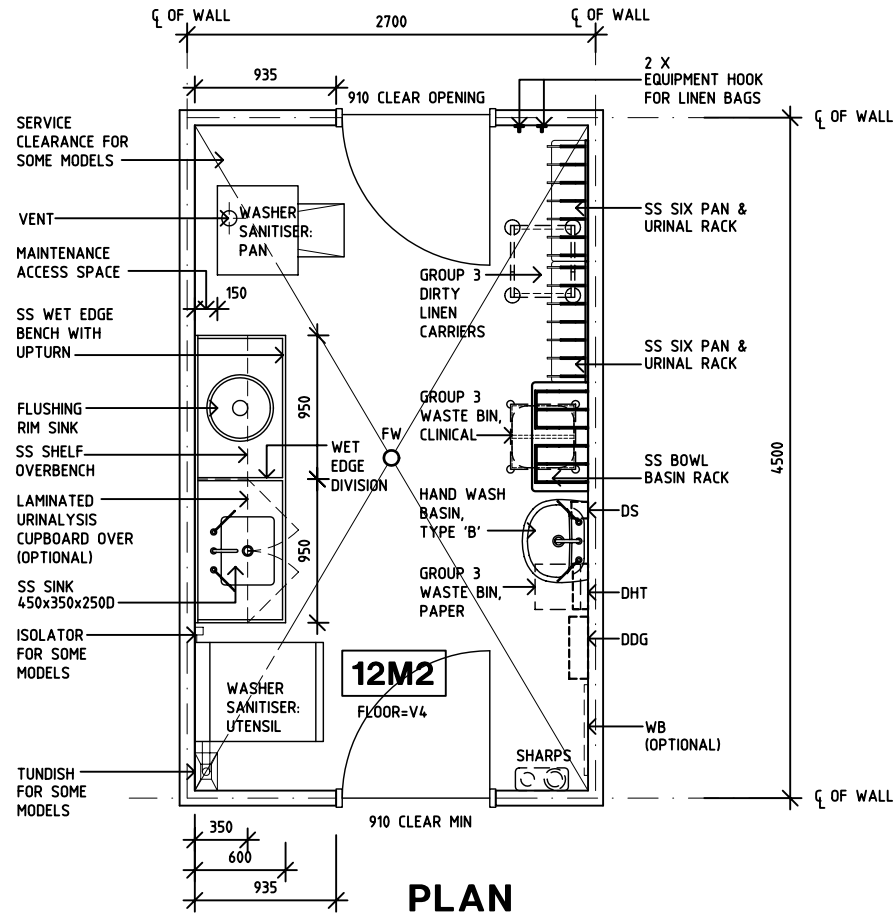
Room Layout Sheet

Room Name **Dirty Utility, 12m2**

RLS Room Code **DTUR-12**

RDS Room Code **DTUR-12**

- AS ADJUSTABLE SHELF
- CH CATHETER HOOK
- CW COLD WATER OUTLET
- DDG DISPENSER - DISPOSABLE GLOVE
- DHT DISPENSER - HAND TOWEL
- DS DISPENSER - SOAP
- DP DOOR & DOOR FRAME PROTECTION
- FW FLOOR WASTE
- GPO/2 GENERAL PURPOSE OUTLET - DOUBLE
- GPO/S GENERAL PURPOSE OUTLET - SPECIAL
- HW HOT WATER OUTLET
- OP OBSERVATION PANEL
- SS STAINLESS STEEL
- SK4 FLOOR VINYL COVERED SKIRTING
- V4 VINYL FLOORING - SAFETY
- WB WHITEBOARD



REV	DESCRIPTION	DATE	BY	REV	DESCRIPTION	DATE	BY	REV	DESCRIPTION	DATE	BY
1	FIRST ISSUE	17.10.03	AL								
2	GENERAL REVISIONS	26.5.05	HS								