

NSW HFG STANDARD COMPONENTS

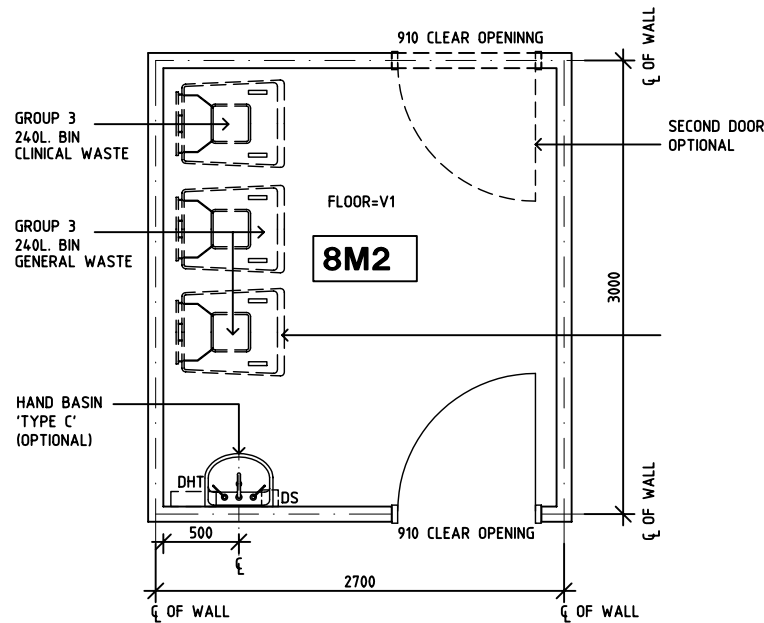
Room Layout Sheet

Room Name **Disposal Room, 8m2**

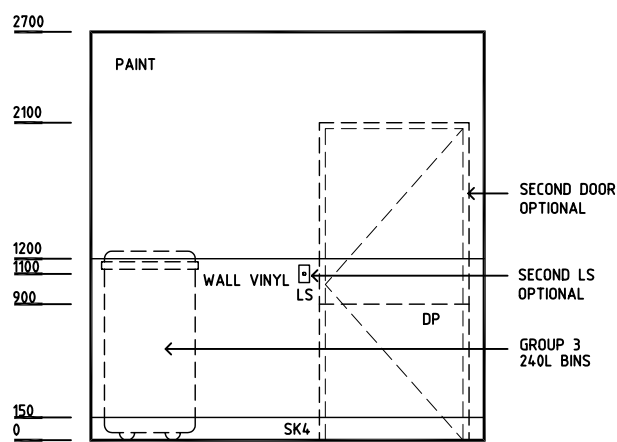
RLS Room Code **DISP-8**

RDS Room Code **DISP-8**

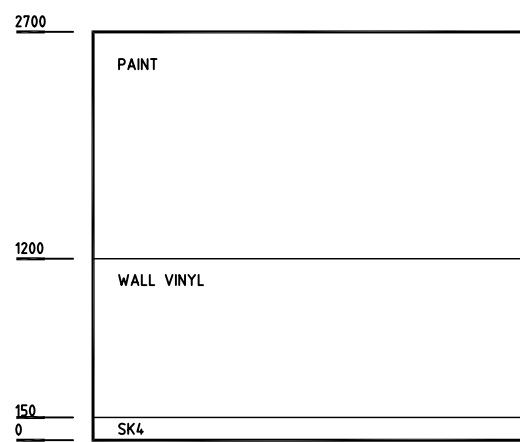
- DHT DISPENSER - HAND TOWEL
- DS DISPENSER - SOAP
- DP DOOR AND DOOR FRAME PROTECTION
- LS LIGHT SWITCH
- SK4 FLOOR VINYL COVERED SKIRTING
- V1 VINYL FLOORING, STANDARD



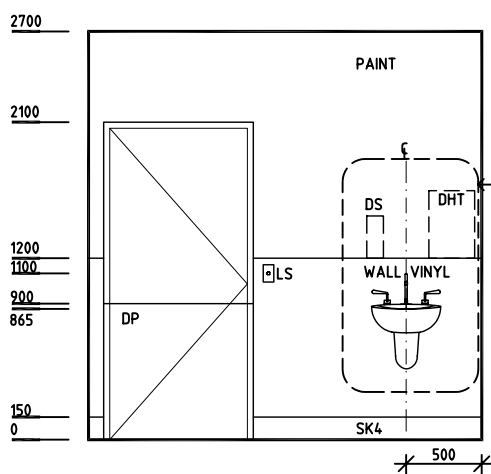
PLAN



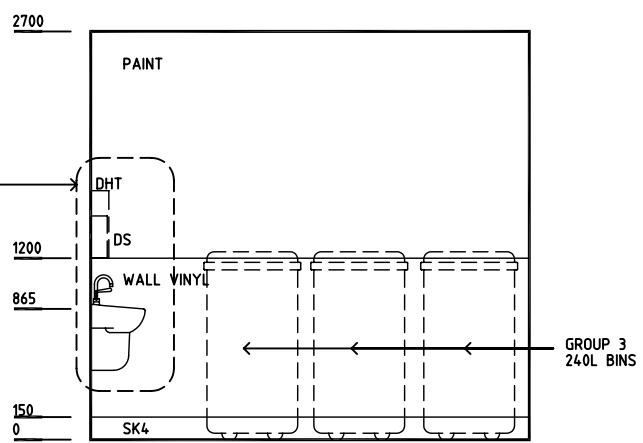
ELEVATION 1



ELEVATION 2



ELEVATION 3



ELEVATION 4

| REV | DESCRIPTION | DATE | BY | REV | DESCRIPTION | DATE | BY | REV | DESCRIPTION | DATE | BY |
|-----|------------------------------------|----------|-----|-----|-------------|------|----|-----|-------------|------|----|
| 1 | FIRST ISSUE | 31.10.03 | CC | | | | | | | | |
| 2 | GENERAL REVISIONS INCL NAME CHANGE | 27.5.05 | JMH | | | | | | | | |