

# NSW HFG STANDARD COMPONENTS

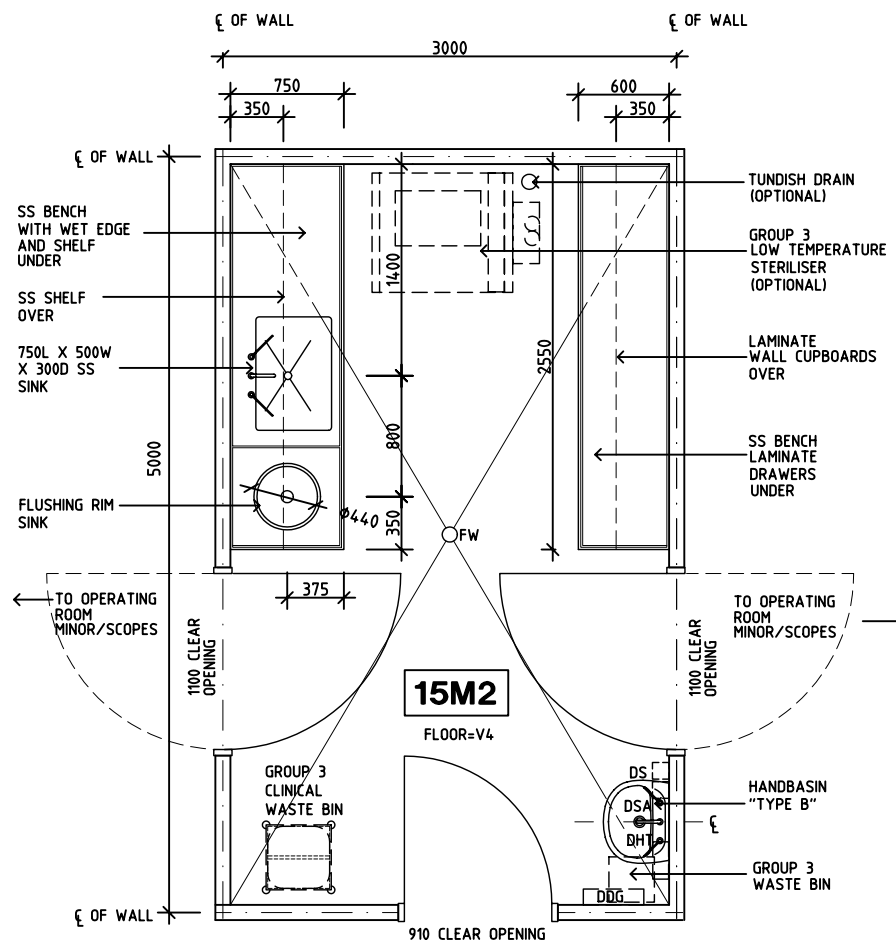
Room Layout Sheet

Room Name **Clean-up Room - Shared, 15m2**

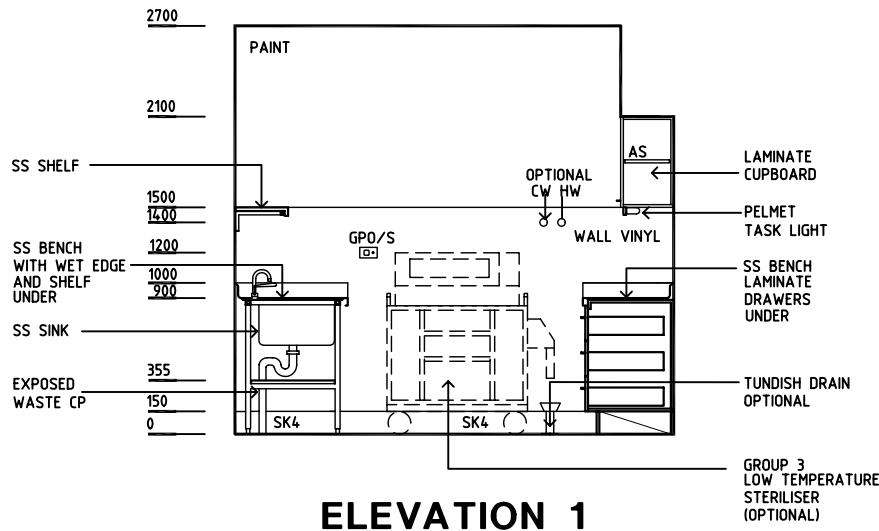
RLS Room Code **CLUP-15**

RDS Room Code **CLUP-15**

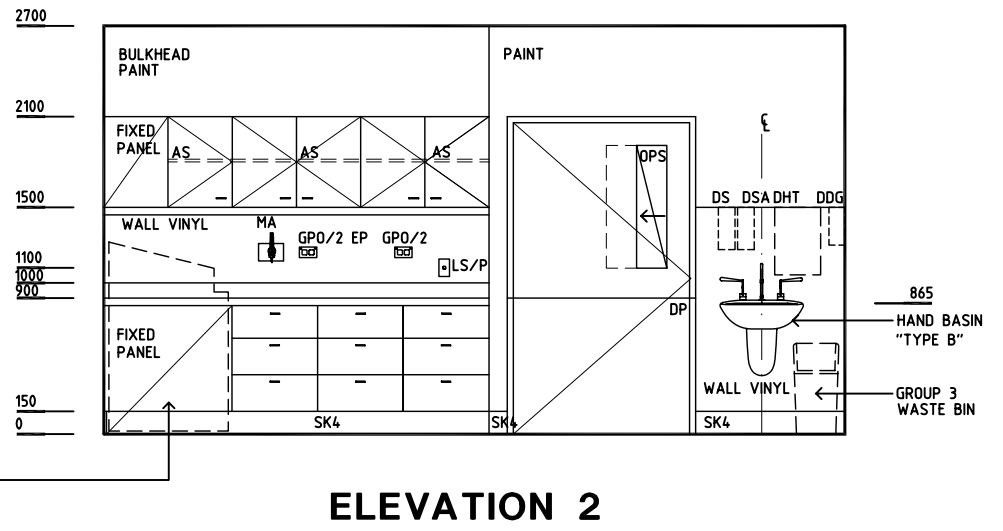
- AS ADJUSTABLE SHELF
- CP CHROME PLATED
- CW COLD WATER OUTLET
- DP DOOR AND FRAME PROTECTION
- DDG DISPENSER - DISPOSABLE GLOVE
- DHT DISPENSER - DISPOSABLE HAND TOWEL
- DS DISPENSER - SOAP
- DSA DISPENSER - SOAP ANTISEPTIC
- GPO/2 GENERAL PURPOSE OUTLET DOUBLE
- GPO/2 EP EMERGENCY POWER - DOUBLE
- GPO/S POWER OUTLET - SPECIAL FOR EQUIPMENT
- FW FLOOR WASTE
- HW HOT WATER OUTLET
- MA MEDICAL AIR
- OP OBSERVATION PANEL
- OPS OBSERVATION PANEL WITH SLIDING DOOR
- S SUCTION
- SK4 FLOOR VINYL COVERED SKIRTING
- SS STAINLESS STEEL
- V4 VINYL FLOORING SAFETY



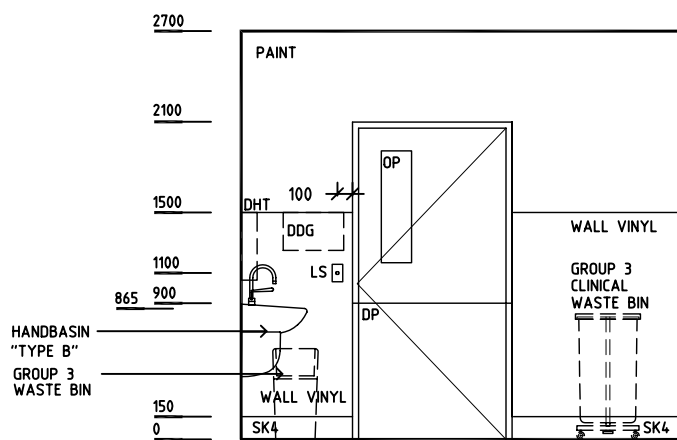
**PLAN**



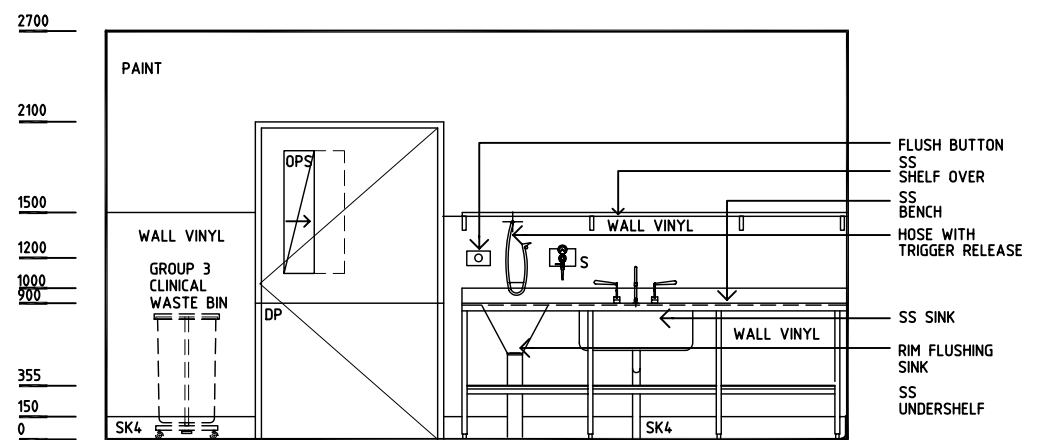
**ELEVATION 1**



**ELEVATION 2**



**ELEVATION 3**



**ELEVATION 4**

REV	DESCRIPTION	DATE	BY	REV	DESCRIPTION	DATE	BY	REV	DESCRIPTION	DATE	BY
1	FIRST ISSUE	8.12.03	CC								
2	GENERAL REVISIONS, INCLUDING NAME CHANGE	4.4.05	SM								
3	GENERAL REVISIONS	18.5.05	AL								