

NSW HFG STANDARD COMPONENTS

Room Layout Sheet

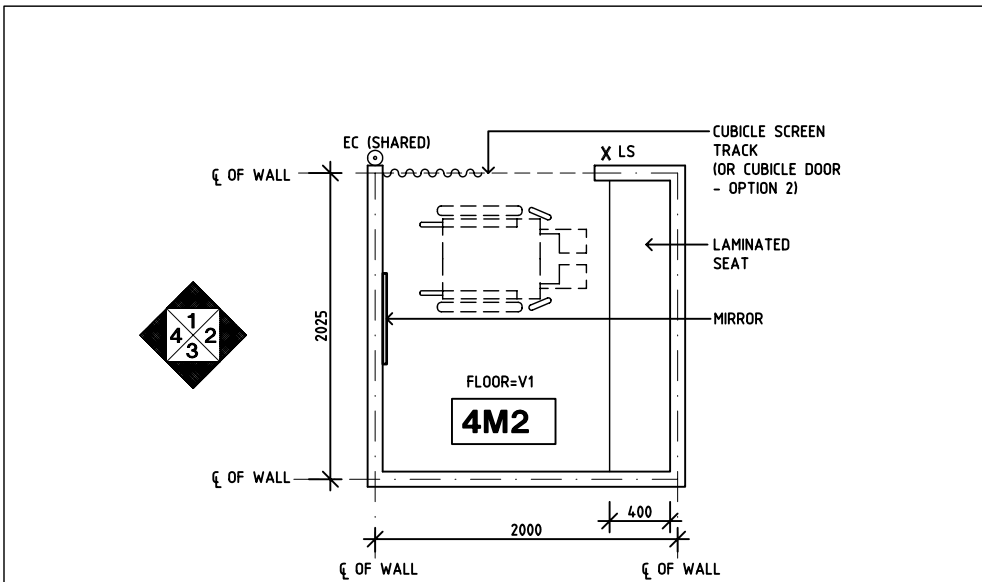
Room Name **Change Cubicle - Disabled**

RLS Room Code **CHPT-D**

RDS Room Code **CHPT-D**

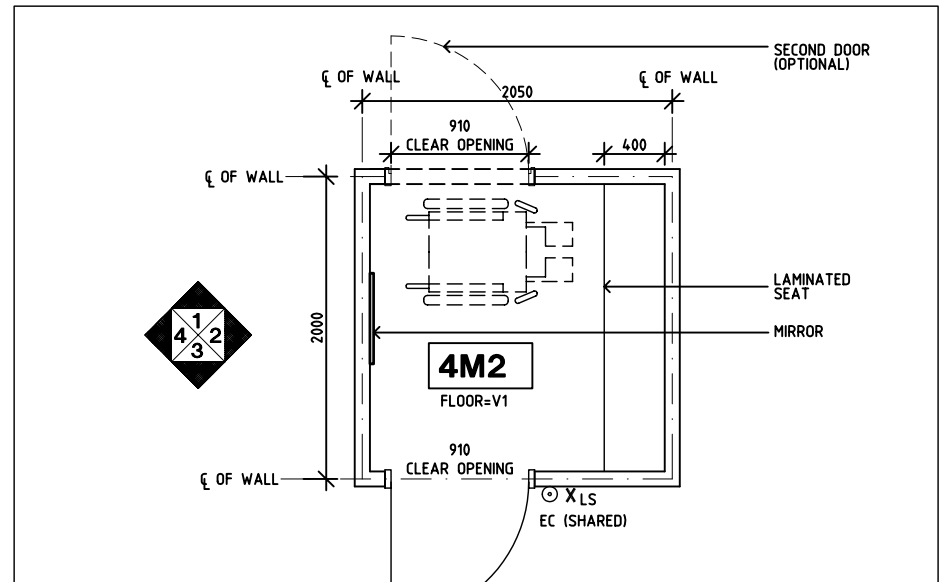
- COH COAT HOOK
- EC EMERGENCY CALL
- NA NURSE ASSIST CALL
- NC PATIENT/NURSE CALL
- SK4 FLOOR VINYL COVERED SKIRTING
- V1 VINYL FLOORING, STANDARD

OPTION 1

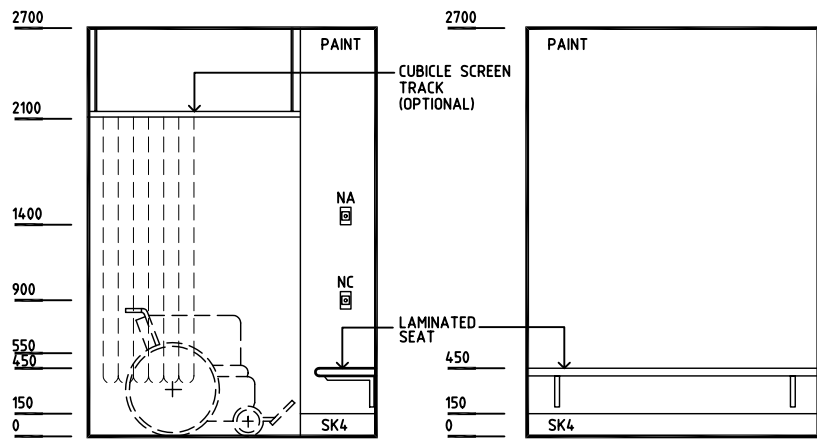


PLAN

OPTION 2

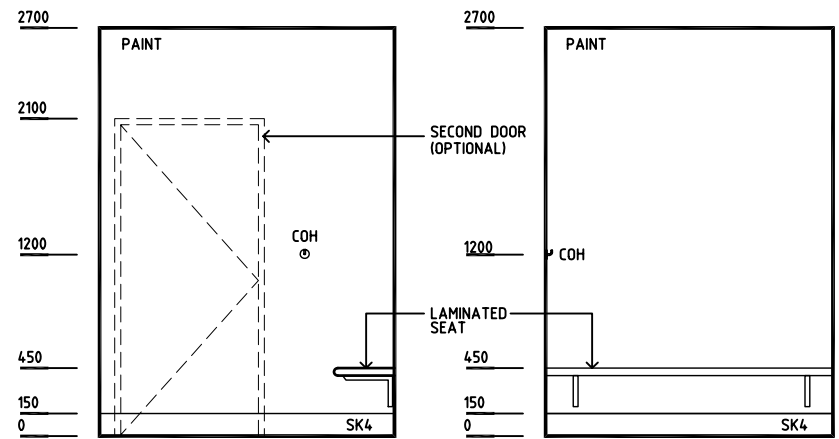


PLAN



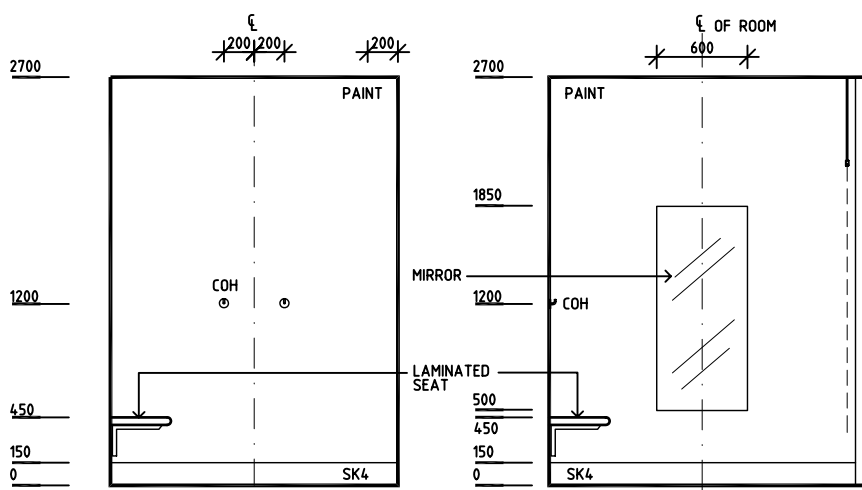
ELEVATION 1

ELEVATION 2



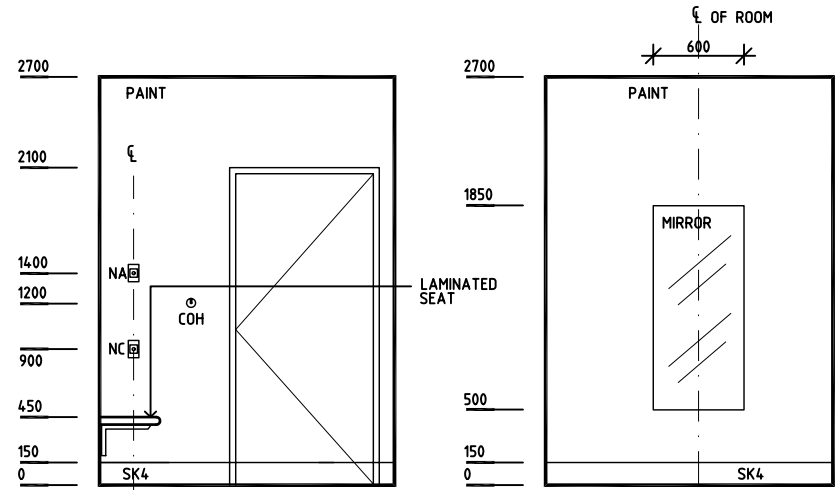
ELEVATION 1

ELEVATION 2



ELEVATION 3

ELEVATION 4



ELEVATION 3

ELEVATION 4

REV	DESCRIPTION	DATE	BY	REV	DESCRIPTION	DATE	BY	REV	DESCRIPTION	DATE	BY
1	FIRST ISSUE	31.10.03	CC								
2	GENERAL REVISIONS INCL NAME CHANGE	10.6.05	AL								