

NSW HFG STANDARD COMPONENTS

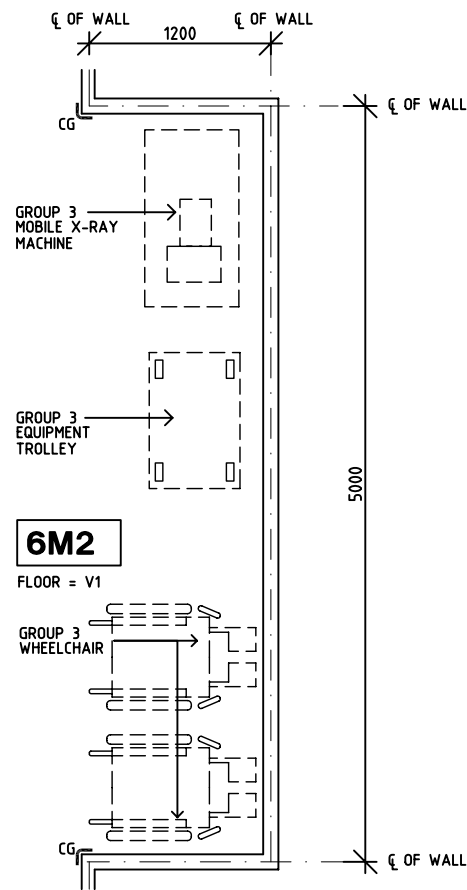
Room Layout Sheet

Room Name **Bay - Mobile Equipment, 6m2**

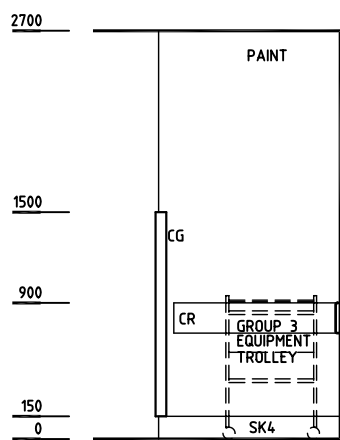
RLS Room Code **BMEQ-6**

RDS Room Code **BMEQ-6**

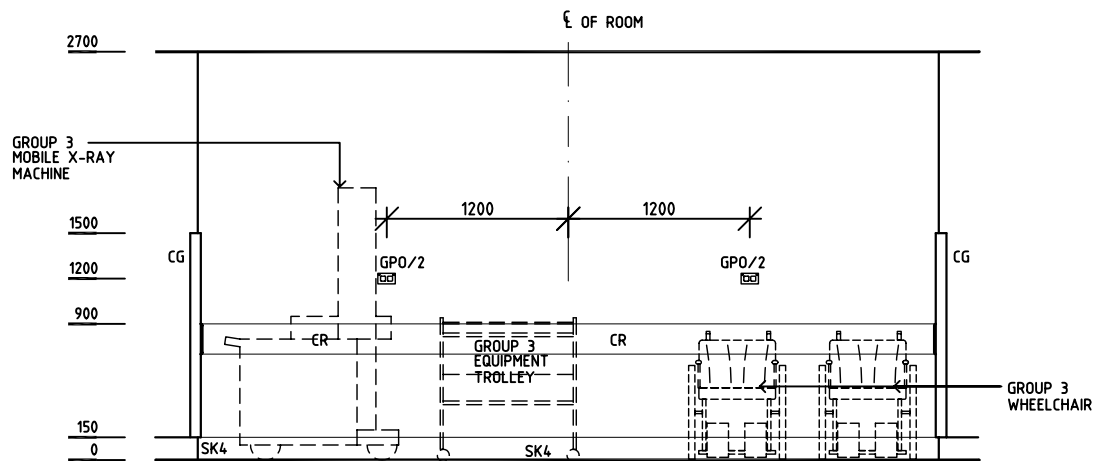
- CG CORNER GUARD
- CR CRASH RAIL
- GPO/2 GENERAL POWER OUTLET - DOUBLE
- SK4 FLOOR VINYL COVERED SKIRTING
- V1 VINYL FLOORING, STANDARD



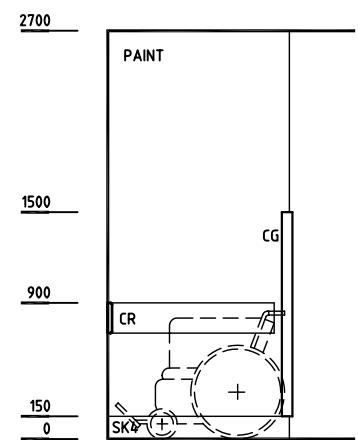
PLAN



ELEVATION 1



ELEVATION 2



ELEVATION 3

REV	DESCRIPTION	DATE	BY	REV	DESCRIPTION	DATE	BY	REV	DESCRIPTION	DATE	BY
1	FIRST ISSUE	29.10.03	AL								
2	GENERAL REVISIONS INCL NAME CHANGE	9.6.05	AL								



THE UNIVERSITY OF
NEW SOUTH WALES

HPI

DESIGNED	APPROVED	SCALE(S)	ZONE(S)
AL	DB	1:50 in A3	
CAD FILE NAME BMEQ-6		PAPER DRAWING ID BMEQ-6	