

NSW HFG STANDARD COMPONENTS

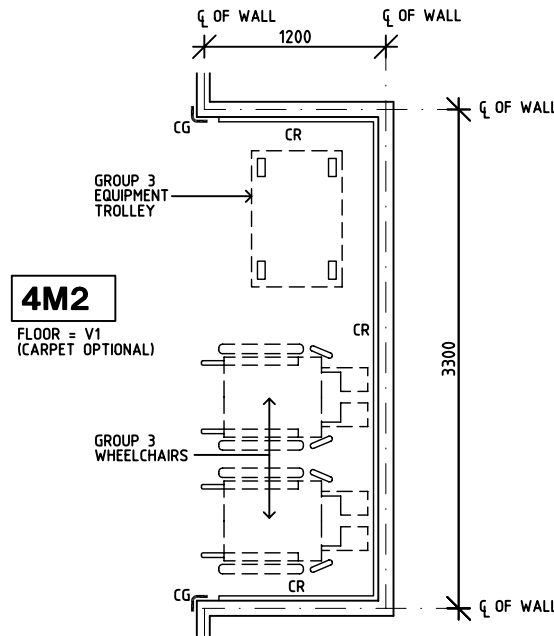
Room Layout Sheet

Room Name **Bay - Mobile Equipment, 4m2**

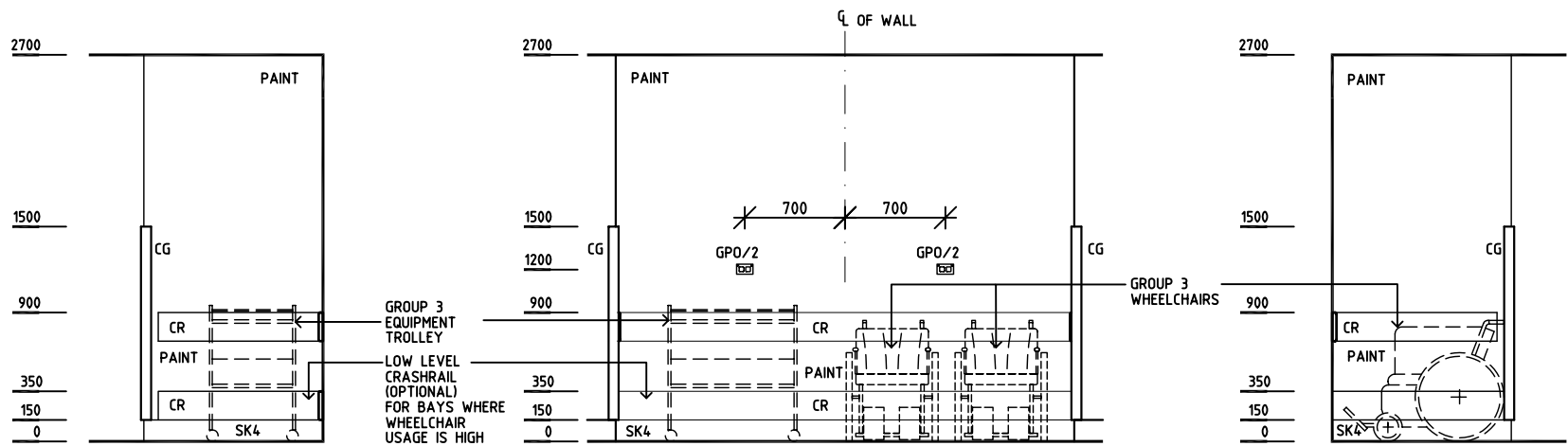
RLS Room Code **BMEQ-4**

RDS Room Code **BMEQ-4**

- CG CORNER GUARD
- CR CRASH RAIL
- GPO/2 GENERAL POWER OUTLET - DOUBLE
- SK4 FLOOR VINYL COVED SKIRTING
- V1 VINYL FLOORING, STANDARD



PLAN



ELEVATION 1

ELEVATION 2

ELEVATION 3

REV	DESCRIPTION	DATE	BY	REV	DESCRIPTION	DATE	BY	REV	DESCRIPTION	DATE	BY
1	FIRST ISSUE	29.10.03	JT								
2	GENERAL REVISIONS	24.5.05	AL								



THE UNIVERSITY OF
NEW SOUTH WALES

HPI

DESIGNED JT/AL	APPROVED DB	SCALE(S) 1:50 in A3	ZONE(S)
CAD FILE NAME BMEQ-4		PAPER DRAWING ID BMEQ-4	