

NSW HFG STANDARD COMPONENTS

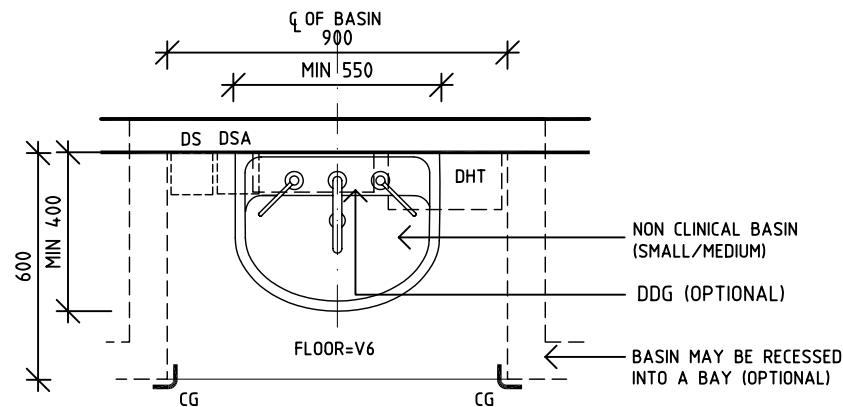
Room Layout Sheet

Room Name **Bay - Handwashing, Type C**

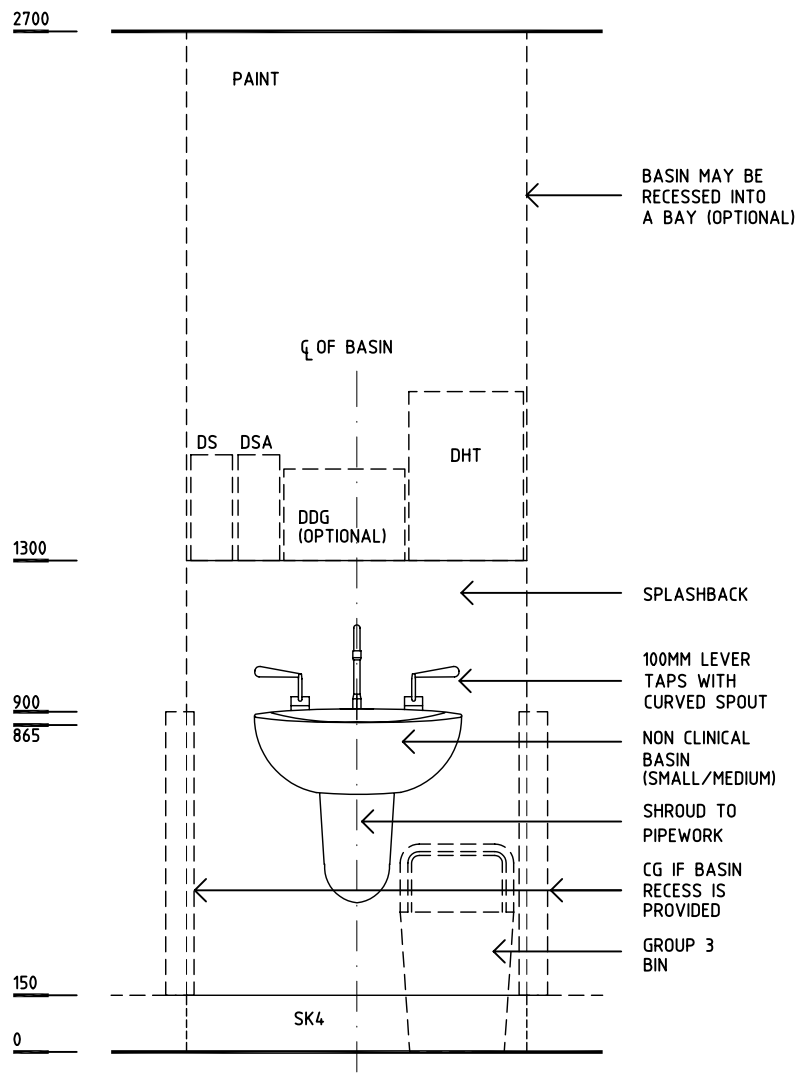
RLS Room Code **BHWS-C**

RDS Room Code **BHWS-C**

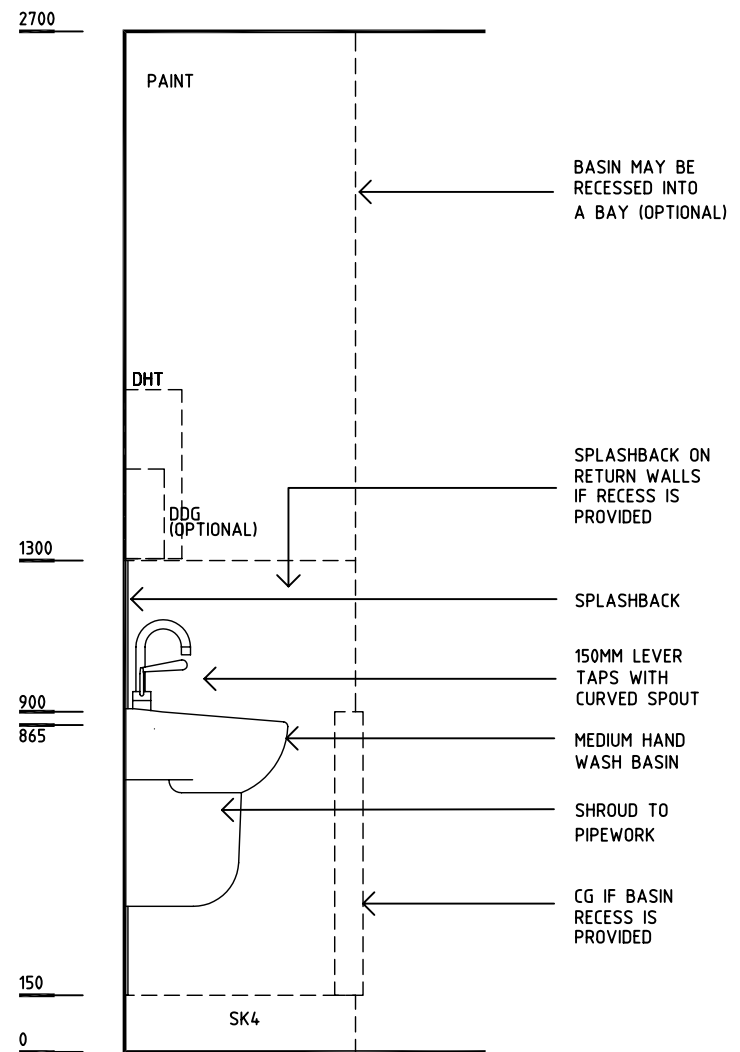
- CG CORNER GUARD
- DDG DISPENSER- DISPOSABLE GLOVE
- DHT DISPENSER- HAND TOWEL
- DS DISPENSER- SOAP
- DSA DISPENSER- SOAP ANTISEPTIC
- SK4 FLOOR VINYL COVERED SKIRTING
- V6 VINYL FLOORING - TEXTURED



TYPE C - NON CLINICAL BASIN (SMALL/MEDIUM) OPTION 1 PLAN



ELEVATION 1



ELEVATION 2

REV	DESCRIPTION	DATE	BY	REV	DESCRIPTION	DATE	BY	REV	DESCRIPTION	DATE	BY
1	FIRST ISSUE	21.10.03	CC								
2	GENERAL REVISION	9.6.05	AL								



THE UNIVERSITY OF
NEW SOUTH WALES

HPI

DESIGNED	APPROVED	SCALE(S)	ZONE(S)
CC/AL	DB	1:50 in A3	
CAD FILE NAME BHWS-C		PAPER DRAWING ID BHWS-Ca	

NSW HFG STANDARD COMPONENTS

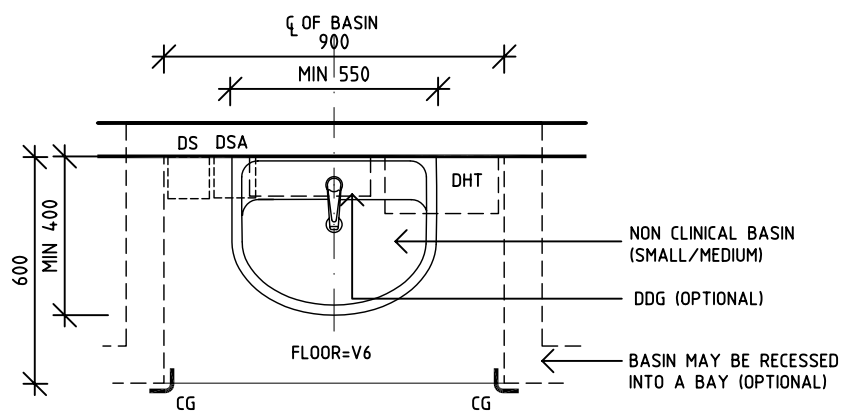
Room Layout Sheet

Room Name **Bay - Handwashing, Type C**

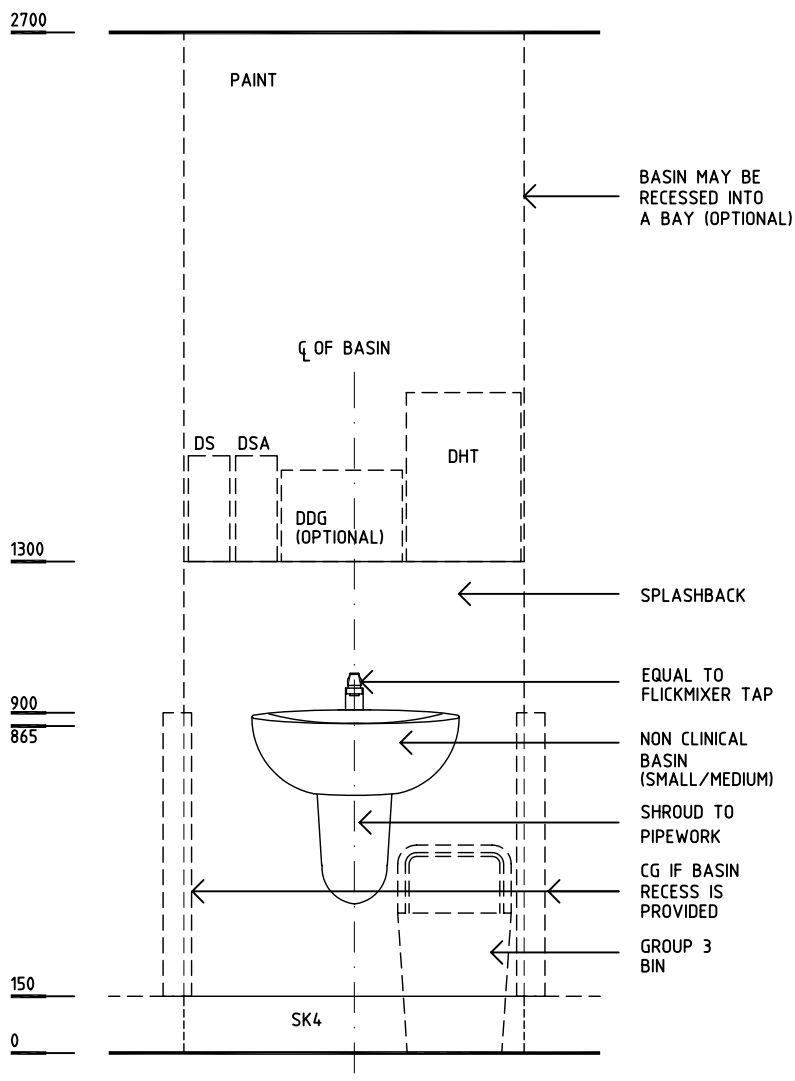
RLS Room Code **BHWS-C**

RDS Room Code **BHWS-C**

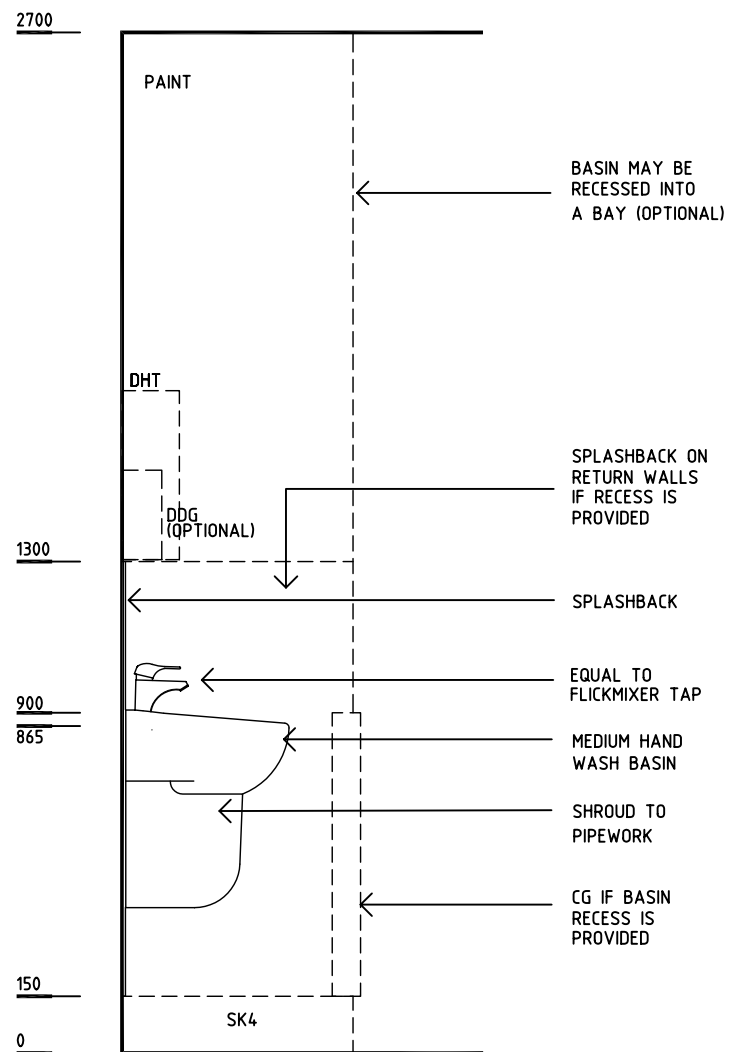
- CG CORNER GUARD
- DDG DISPENSER- DISPOSABLE GLOVE
- DHT DISPENSER- HAND TOWEL
- DS DISPENSER- SOAP
- DSA DISPENSER- SOAP ANTISEPTIC
- SK4 FLOOR VINYL COVERED SKIRTING
- V6 VINYL FLOORING - TEXTURED



TYPE C - NON CLINICAL BASIN (SMALL/MEDIUM) OPTION 2 PLAN



ELEVATION 1



ELEVATION 2

REV	DESCRIPTION	DATE	BY	REV	DESCRIPTION	DATE	BY	REV	DESCRIPTION	DATE	BY
1	FIRST ISSUE	9.6.05	AL								

NSW HFG STANDARD COMPONENTS

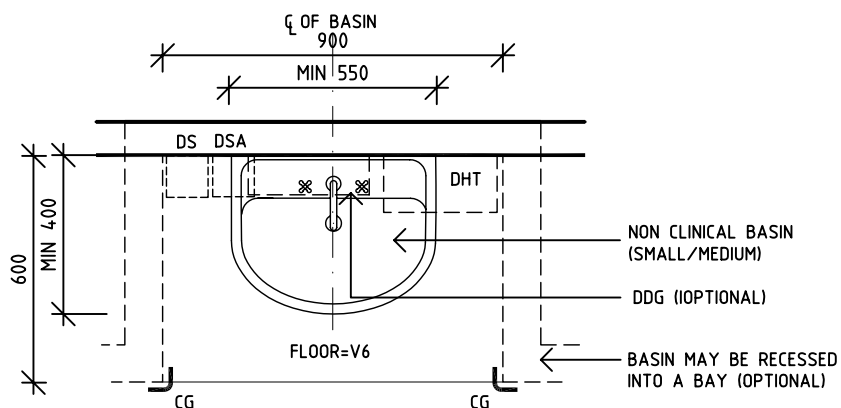
Room Layout Sheet

Room Name **Bay - Handwashing, Type C**

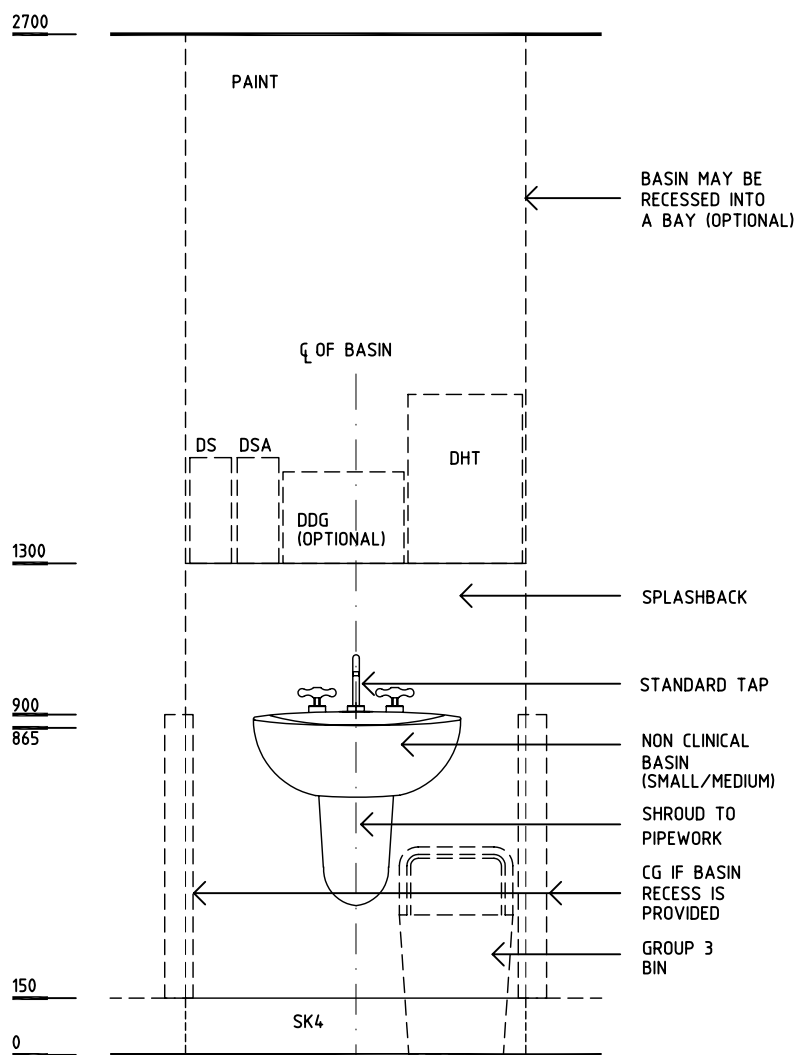
RLS Room Code **BHWS-C**

RDS Room Code **BHWS-C**

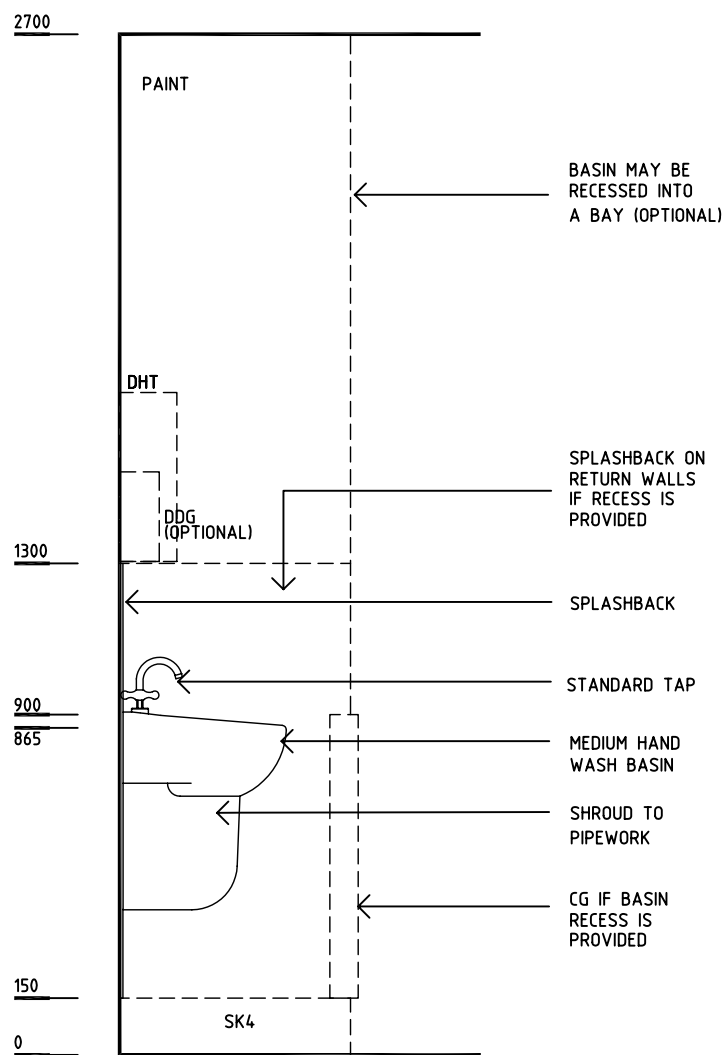
- CG CORNER GUARD
- DDG DISPENSER- DISPOSABLE GLOVE
- DHT DISPENSER- HAND TOWEL
- DS DISPENSER- SOAP
- DSA DISPENSER- SOAP ANTISEPTIC
- SK4 FLOOR VINYL COVERED SKIRTING
- V6 VINYL FLOORING - TEXTURED



TYPE C - NON CLINICAL BASIN (SMALL/MEDIUM) OPTION 3 PLAN



ELEVATION 1



ELEVATION 2

REV	DESCRIPTION	DATE	BY	REV	DESCRIPTION	DATE	BY	REV	DESCRIPTION	DATE	BY
1	FIRST ISSUE	9.6.05	AL								