

# NSW HFG STANDARD COMPONENTS

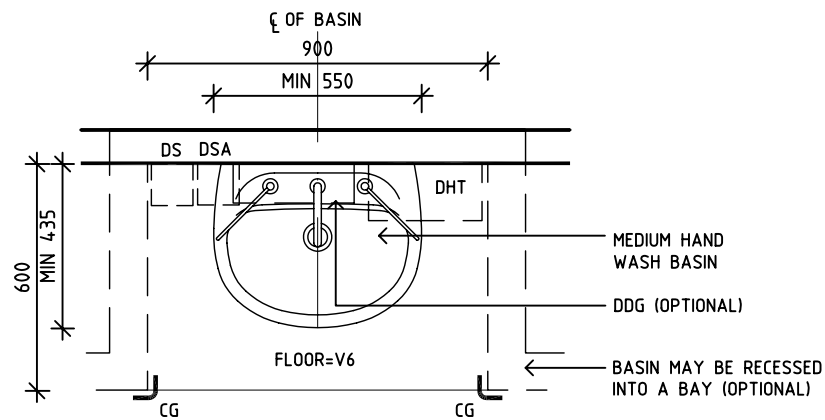
Room Layout Sheet

Room Name **Bay - Handwashing, Type B**

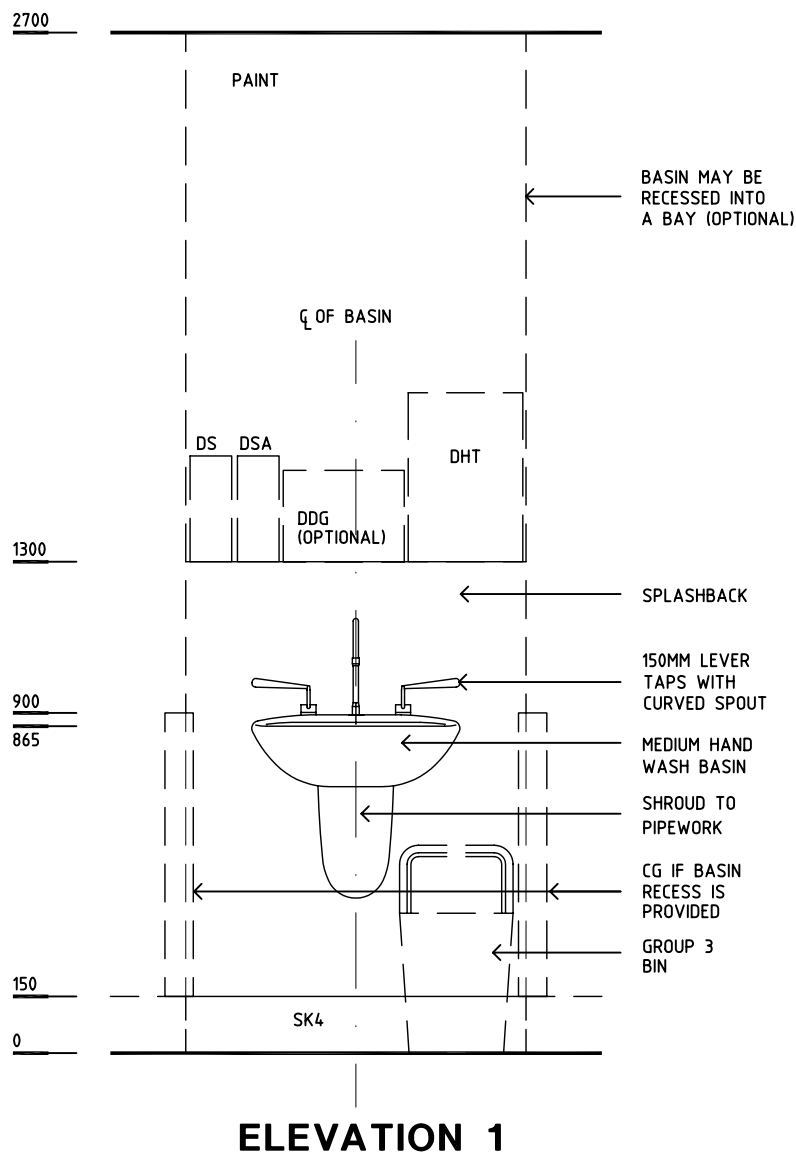
RLS Room Code **BHWS-B**

RDS Room Code **BHWS-B**

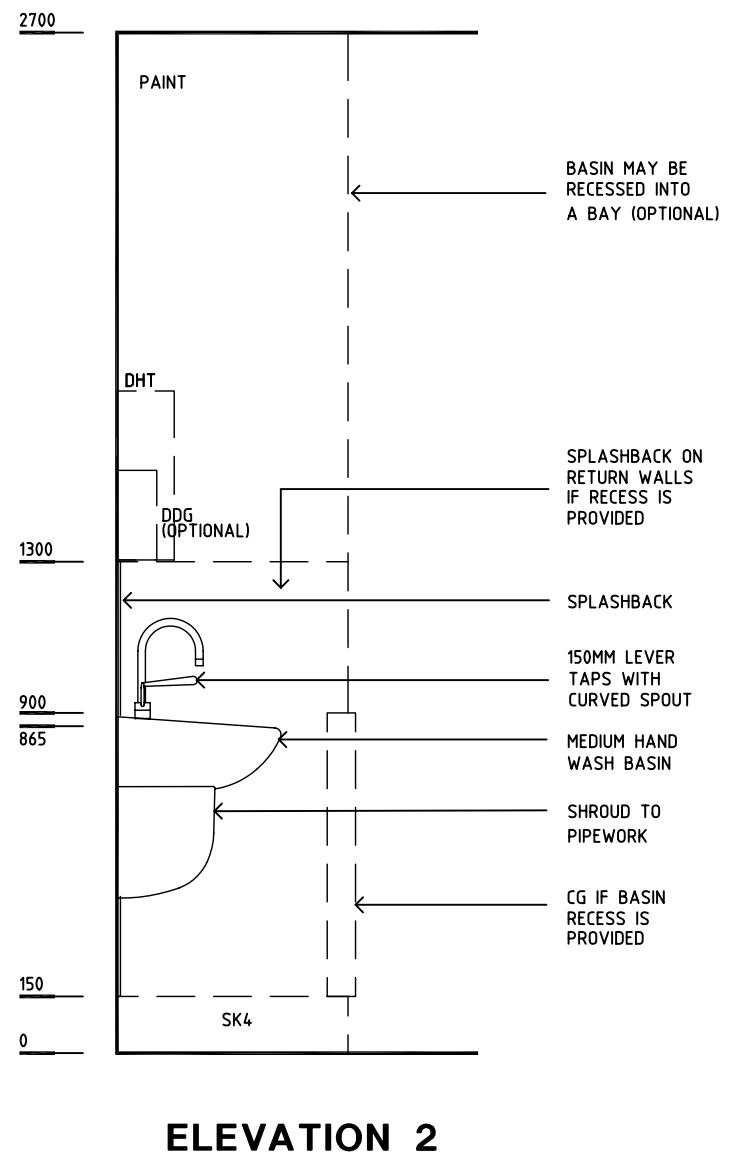
- CG CORNER GUARD
- DDG DISPENSER- DISPOSABLE GLOVE
- DHT DISPENSER- HAND TOWEL
- DS DISPENSER- SOAP
- DSA DISPENSER- SOAP ANTISEPTIC
- SK4 FLOOR VINYL COVERED SKIRTING
- V6 VINYL FLOORING - TEXTURED



## TYPE B - CLINICAL BASIN (MEDIUM) OPTION 1 PLAN



**ELEVATION 1**



**ELEVATION 2**

REV	DESCRIPTION	DATE	BY	REV	DESCRIPTION	DATE	BY	REV	DESCRIPTION	DATE	BY
1	FIRST ISSUE	21.10.03	CC								
2	GENERAL REVISION INCL NAME CHANGE	22.2.05	AL								

DESIGNED	APPROVED	SCALE(S)	ZONE(S)
CC	DB	1:50 in A3	
CAD FILE NAME BHWS-B		PAPER DRAWING ID BHWS-Ba	

# NSW HFG STANDARD COMPONENTS

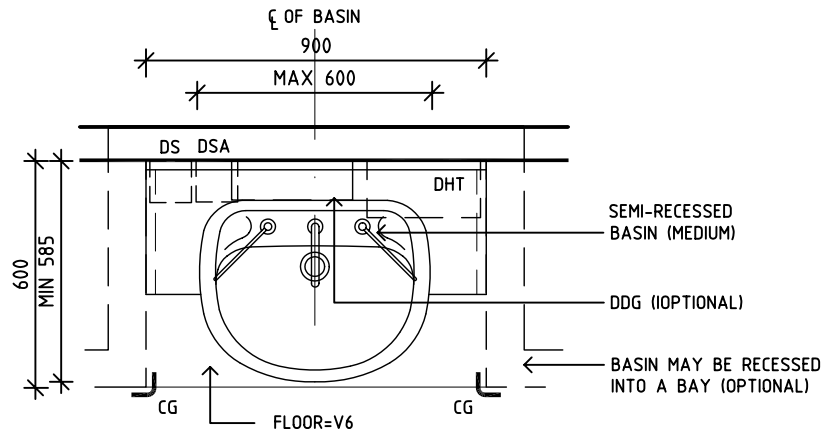
Room Layout Sheet

Room Name **Bay - Handwashing, Type B**

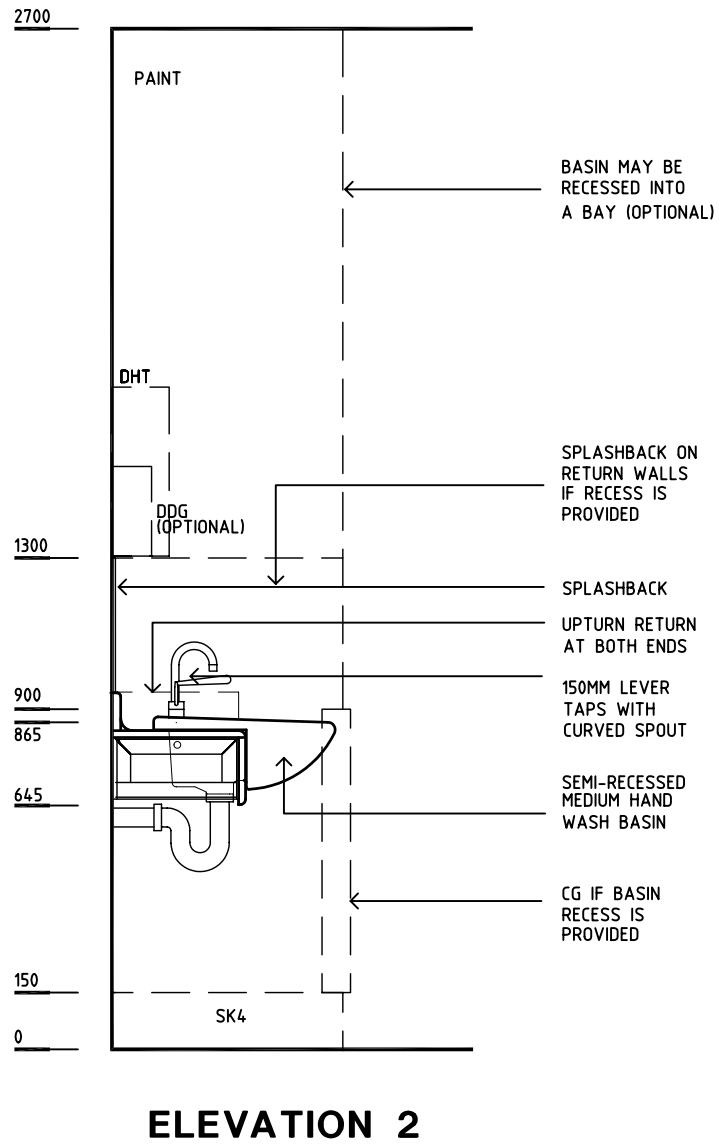
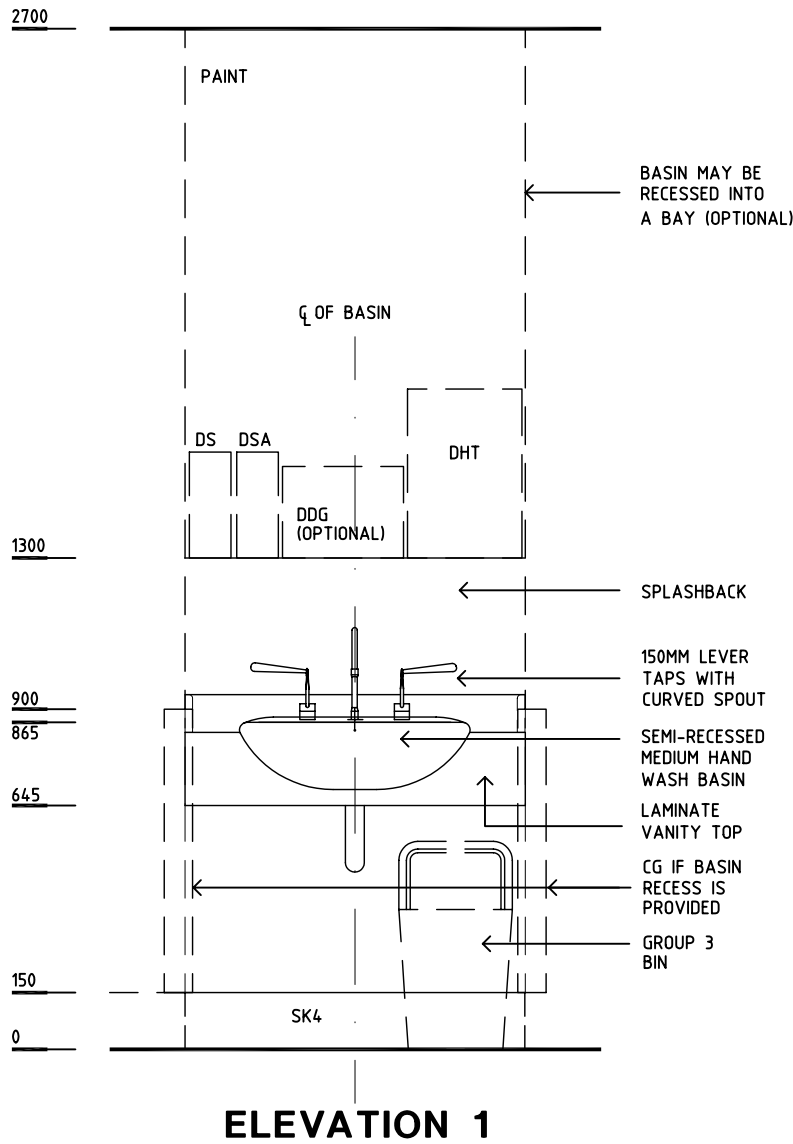
RLS Room Code **BHWS-B**

RDS Room Code **BHWS-B**

- CG CORNER GUARD
- DDG DISPENSER- DISPOSABLE GLOVE
- DHT DISPENSER- HAND TOWEL
- DS DISPENSER- SOAP
- DSA DISPENSER- SOAP ANTISEPTIC
- SK4 FLOOR VINYL COVERED SKIRTING
- V6 VINYL FLOORING - TEXTURED



## BASIN (MEDIUM) SEMI RECESSED - OPTION 2 PLAN



REV	DESCRIPTION	DATE	BY	REV	DESCRIPTION	DATE	BY	REV	DESCRIPTION	DATE	BY
1	FIRST ISSUE	9.6.05	AL								

**NSW HEALTH**



THE UNIVERSITY OF  
NEW SOUTH WALES

HPI

DESIGNED	APPROVED	SCALE(S)	ZONE(S)
CC	DB	1:50 in A3	
CAD FILE NAME BHWS-B		PAPER DRAWING ID BHWS-Bb	

# NSW HFG STANDARD COMPONENTS

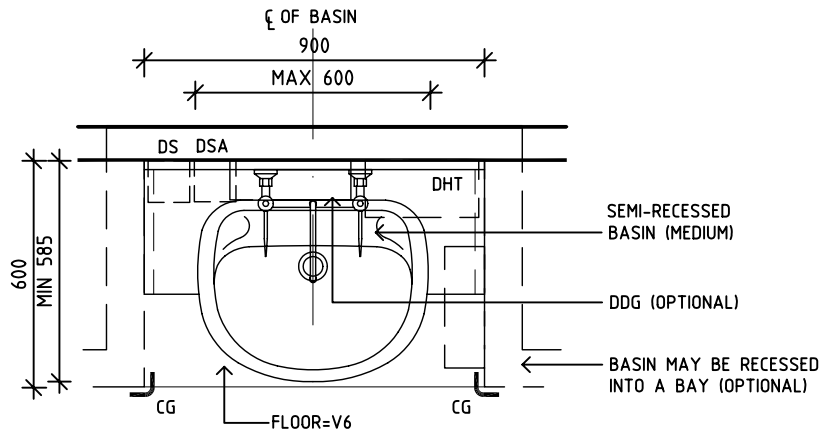
Room Layout Sheet

Room Name **Bay - Handwashing, Type B**

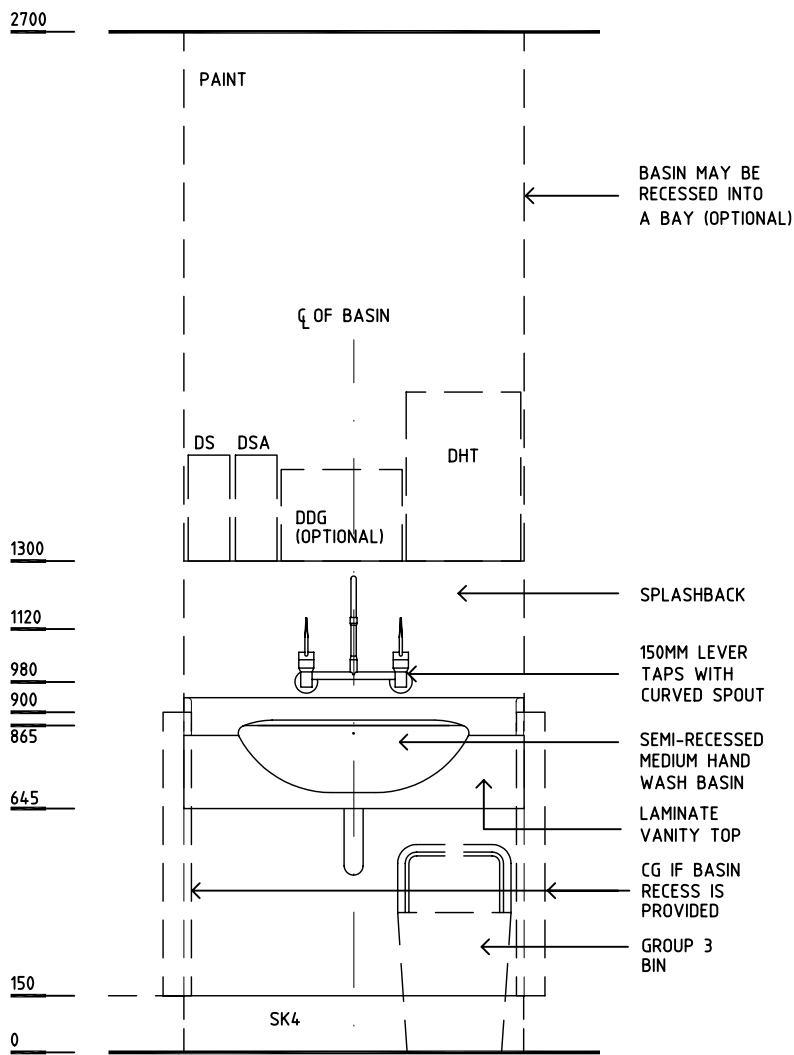
RLS Room Code **BHWS-B**

RDS Room Code **BHWS-B**

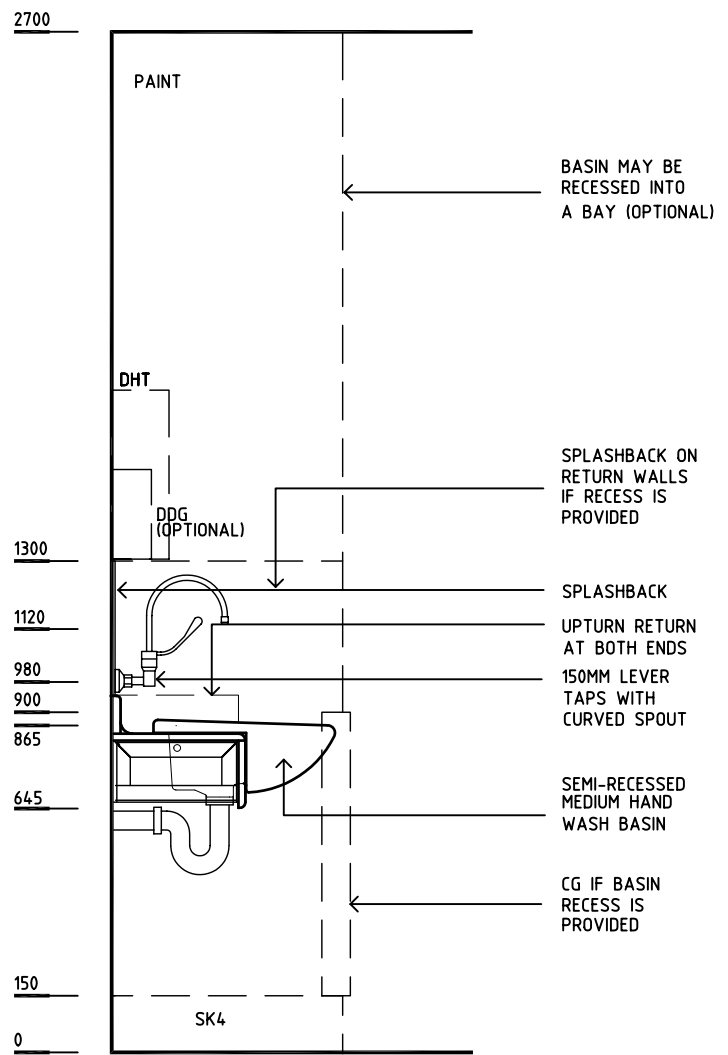
- CG CORNER GUARD
- DDG DISPENSER- DISPOSABLE GLOVE
- DHT DISPENSER- HAND TOWEL
- DS DISPENSER- SOAP
- DSA DISPENSER- SOAP ANTISEPTIC
- SK4 FLOOR VINYL COVERED SKIRTING
- V6 VINYL FLOORING - TEXTURED



## BASIN (MEDIUM) SEMI RECESSED - OPTION 3 PLAN



**ELEVATION 1**



**ELEVATION 2**

REV	DESCRIPTION	DATE	BY	REV	DESCRIPTION	DATE	BY	REV	DESCRIPTION	DATE	BY
1	FIRST ISSUE	9.6.05	AL								

DESIGNED	APPROVED	SCALE(S)	ZONE(S)
CC	DB	1:50 in A3	
CAD FILE NAME BHWS-B		PAPER DRAWING ID BHWS-Bc	