

NSW HFG STANDARD COMPONENTS

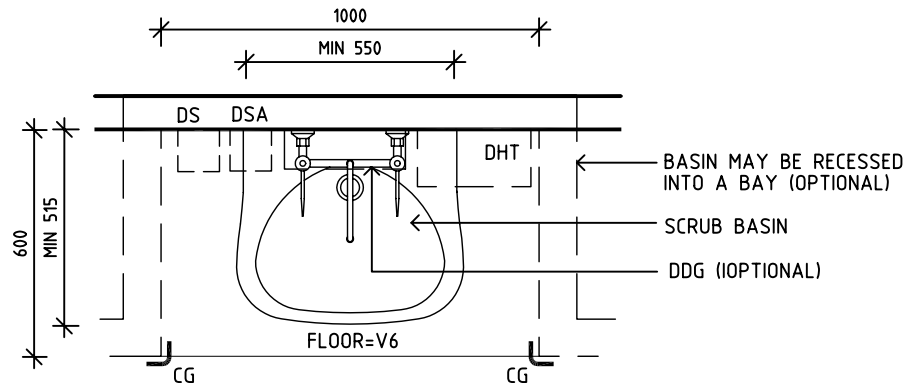
Room Layout Sheet

Room Name **Bay - Handwashing, Type A**

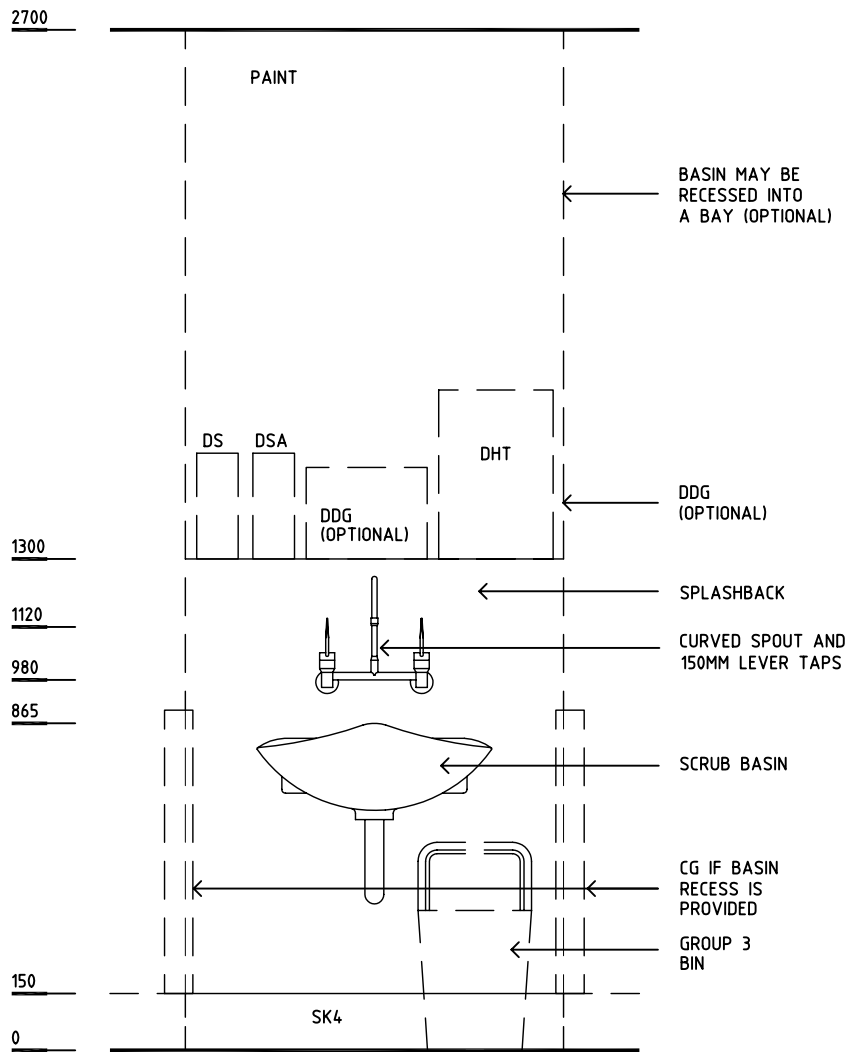
RLS Room Code **BHWS-A**

RDS Room Code **BHWS-A**

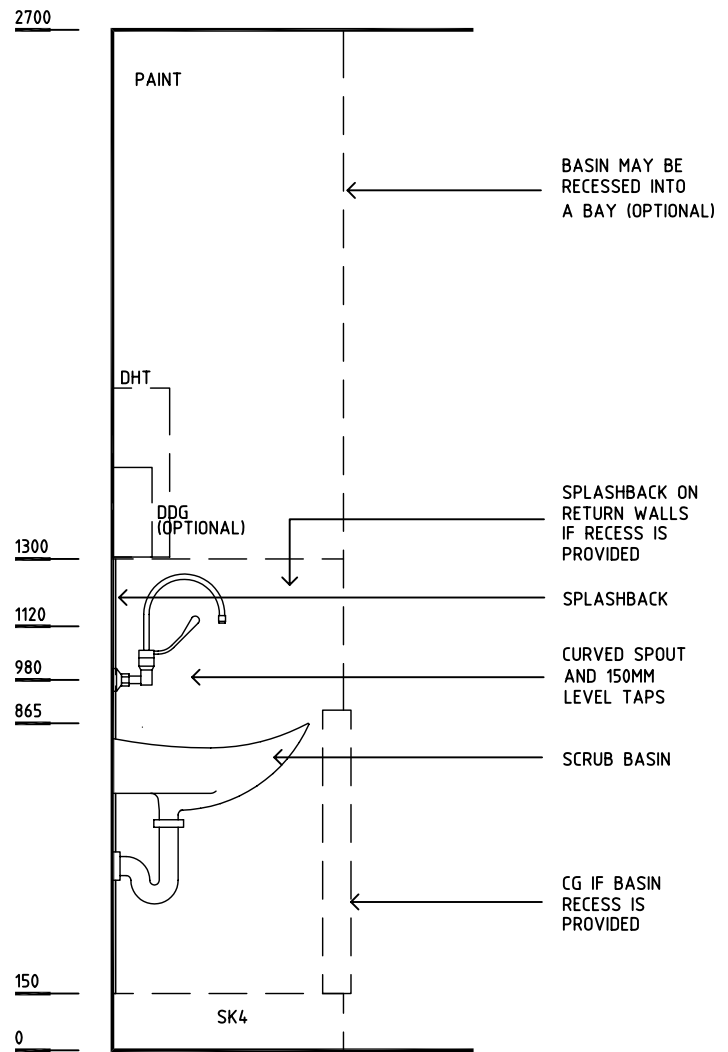
- CG CORNER GUARD
- DDG DISPENSER- DISPOSABLE GLOVE
- DHT DISPENSER- HAND TOWEL
- DS DISPENSER- SOAP
- DSA DISPENSER- SOAP ANTISEPTIC
- SK4 FLOOR VINYL COVED SKIRTING
- V6 VINYL FLOORING - TEXTURED



**TYPE A - SCRUB BASIN (LARGE)
PLAN**



ELEVATION 1



ELEVATION 2

REV	DESCRIPTION	DATE	BY	REV	DESCRIPTION	DATE	BY	REV	DESCRIPTION	DATE	BY
1	FIRST ISSUE	21.10.03	CC								
2	GENERAL REVISIONS	4.5.05	AL								
3	GENERAL REVISIONS	16.5.05	CC								



THE UNIVERSITY OF
NEW SOUTH WALES

HPI

DESIGNED	APPROVED	SCALE(S)	ZONE(S)
JMH	DB	1:50 in A3	
CAD FILE NAME BHWS-A		PAPER DRAWING ID BHWS-A	