

NSW HFG STANDARD COMPONENTS

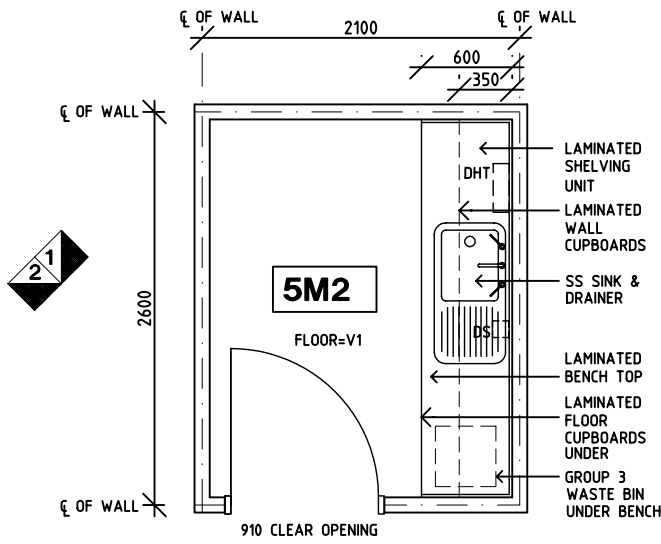
Room Layout Sheet

Room Name **Bay - Flowers, Enclosed**

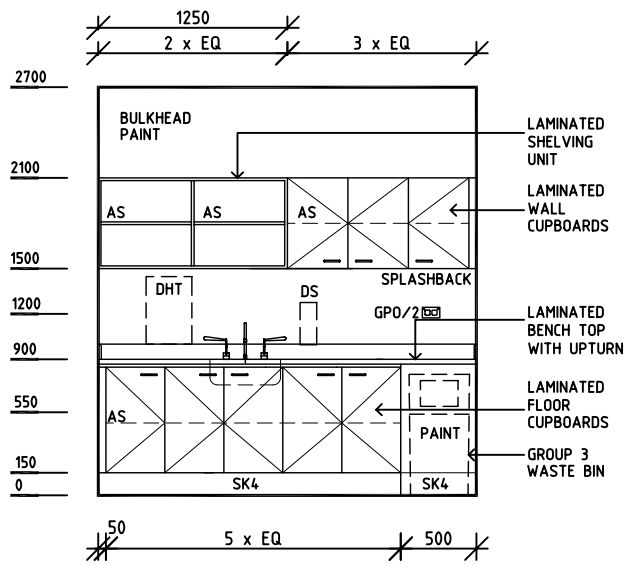
RLS Room Code **BFLW-ENC**

RDS Room Code **BFLW-ENC**

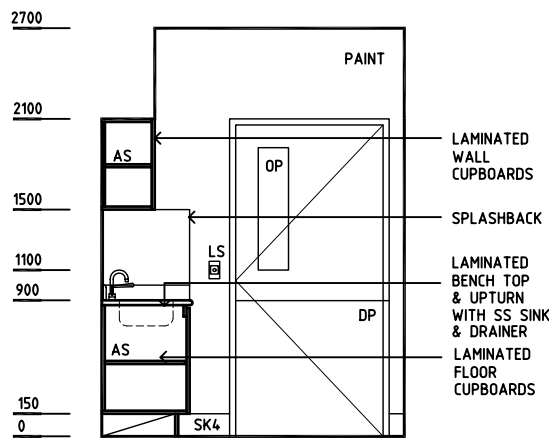
- AS ADJUSTABLE SHELF
- DHT DISPENSER - HAND TOWEL
- DP DOOR AND FRAME PROTECTION
- DS DISPENSER - SOAP
- GPO/2 GENERAL PURPOSE OUTLET-DOUBLE
- LS LIGHT SWITCH
- OP OBSERVATION PANEL
- SK4 FLOOR VINYL COVERED
- SS STAINLESS STEEL
- V1 VINYL FLOORING, STANDARD



PLAN



ELEVATION 1



ELEVATION 2

REV	DESCRIPTION	DATE	BY	REV	DESCRIPTION	DATE	BY	REV	DESCRIPTION	DATE	BY
1	FIRST ISSUE	31.10.03	HS								
2	GENERAL REVISION INCL NAME CHANGE	4.5.05	AL								
3	GENERAL REVISION	12.5.05	AL								



THE UNIVERSITY OF
NEW SOUTH WALES

HPI

DESIGNED	APPROVED	SCALE(S)	ZONE(S)
HS/JMH/AL	DB	1:50 in A3	
CAD FILE NAME BFLW-ENC		PAPER DRAWING ID BFLW-ENC	