

NSW HFG STANDARD COMPONENTS

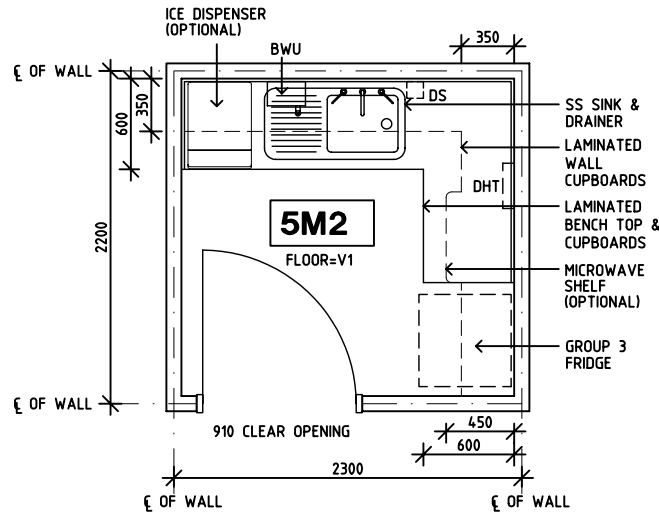
Room Layout Sheet

Room Name **Bay - Beverage, Enclosed**

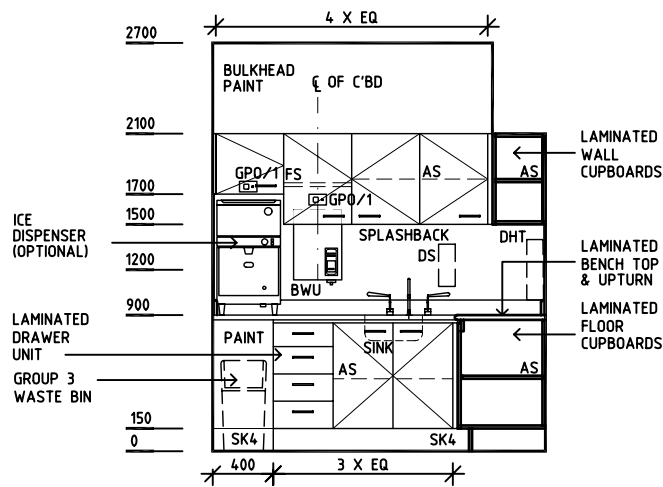
RLS Room Code **BBEV-ENC**

RDS Room Code **BBEV-ENC**

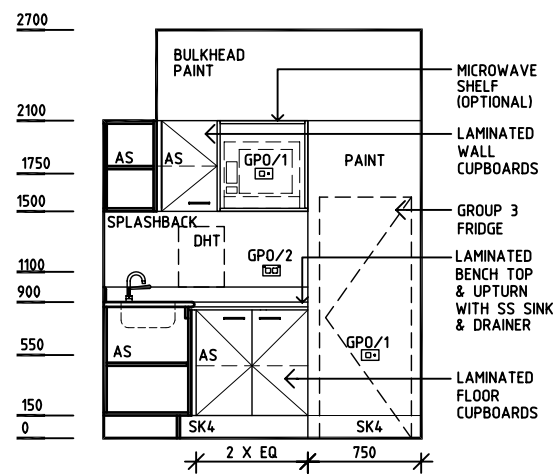
- AS ADJUSTABLE SHELF
- BWU BOILING WATER UNIT
- DHT DISPENSER - HAND TOWEL
- DS DISPENSER - SOAP
- FS FIXED SHELF
- GPO/1 GENERAL PURPOSE OUTLET - SINGLE
- GPO/2 GENERAL PURPOSE OUTLET - DOUBLE
- LS LIGHT SWITCH
- SK4 FLOOR VINYL COVERED SKIRTING
- SS STAINLESS STEEL
- V1 VINYL FLOORING, STANDARD



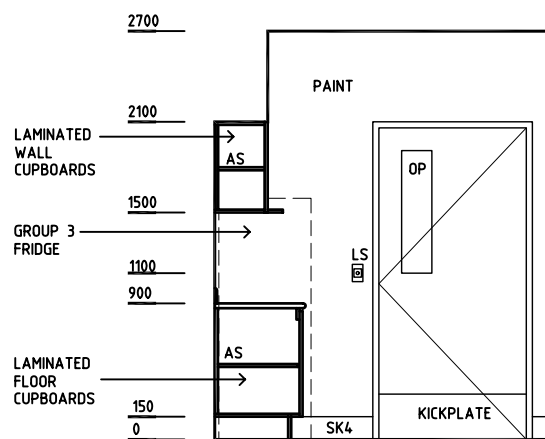
PLAN



ELEVATION 1



ELEVATION 1



ELEVATION 3

REV	DESCRIPTION	DATE	BY	REV	DESCRIPTION	DATE	BY	REV	DESCRIPTION	DATE	BY
1	FIRST ISSUE	4.11.03	HS								
2	GENERAL REVISION	4.5.05	AL								
3	GENERAL REVISION	17.5.05	AL								