

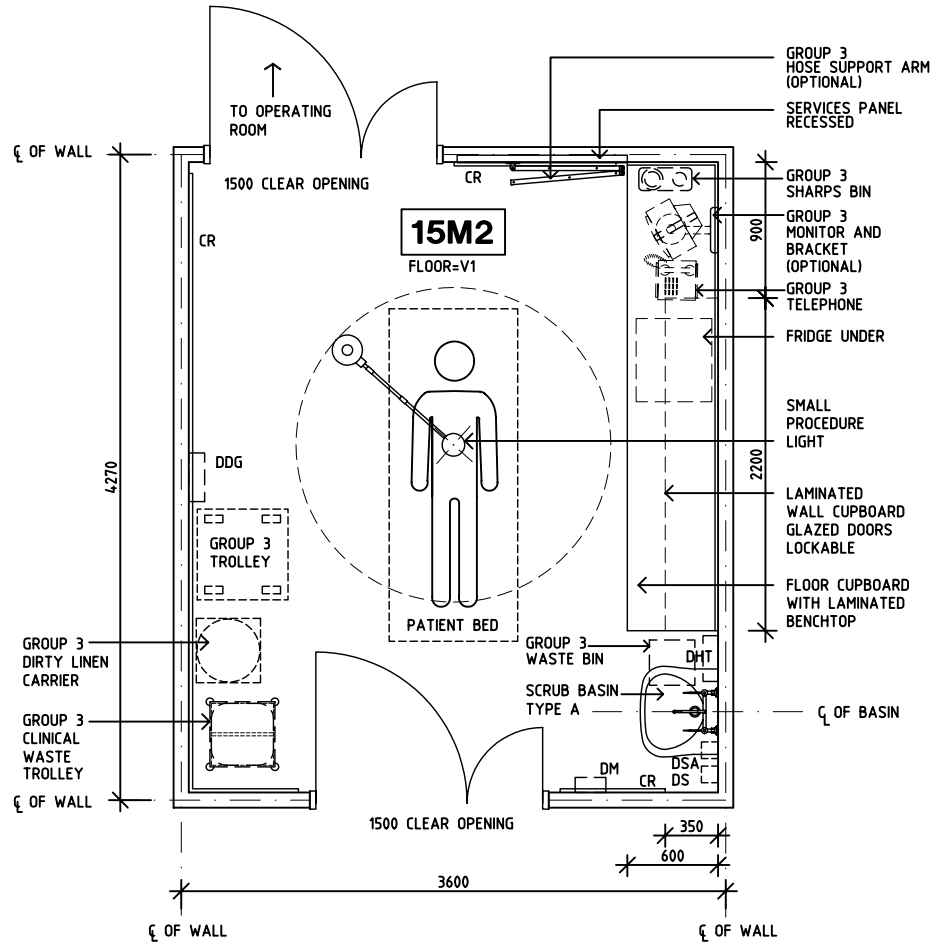
NSW HFG STANDARD COMPONENTS

Room Layout Sheet

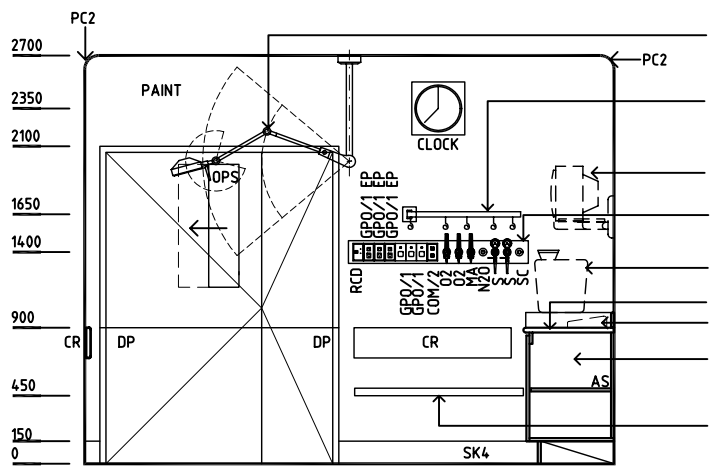
Room Name **Anaesthetic Induction**

Room Code **ANIN**

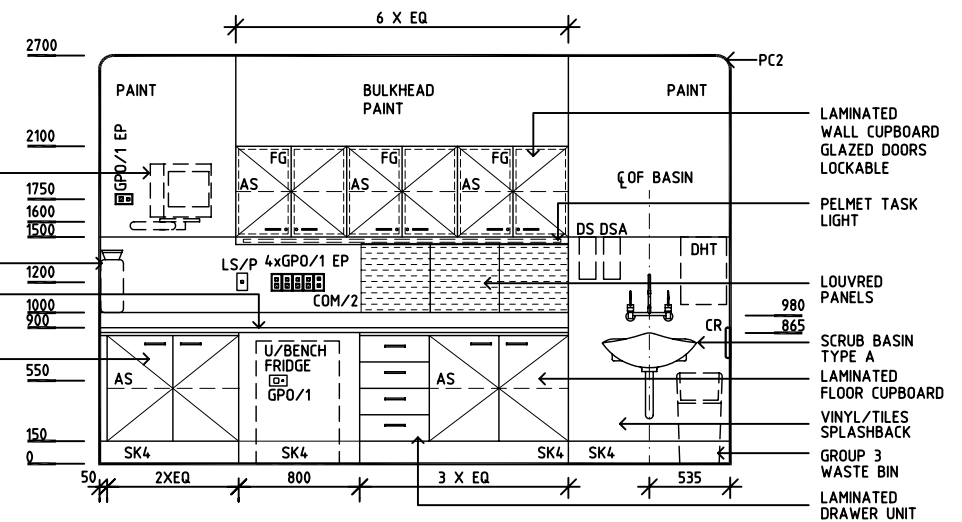
- AS ADJUSTABLE SHELF
- CR CRASH RAIL
- COM/2 COMMUNICATION OUTLET - DOUBLE
- DDG DISPENSER - DISPOSABLE GLOVES
- DHT DISPENSER - HAND TOWEL
- DM DISPENSER - MASK
- DP DOOR AND DOOR FRAME PROTECTION
- DS DISPENSER - SOAP
- DSA DISPENSER - SOAP ANTISEPTIC
- EC EMERGENCY CALL
- FG FIXED GLASS
- GPO/1 EP EMERGENCY POWER - SINGLE
- GPO/1 GENERAL PURPOSE OUTLET - SINGLE
- GPO/C GENERAL PURPOSE OUTLET - CLEANER
- LS/P LIGHT SWITCH - PELMET LIGHT
- LS/R LIGHT SWITCH - ROOM
- MA MEDICAL AIR
- NA NURSE ASSIST CALL
- NC PATIENT/NURSE CALL
- N2O NITROUS OXIDE
- O2 OXYGEN
- OC ORDERLY PORTER CALL
- OPS OBSERVATION PANEL WITH SLIDING DOOR
- PC2 PLASTERBOARD CORNICE FLUSH SET
- RCD RESIDUAL CURRENT DEVICE
- S SUCTION
- SC SCAVENGE
- SK4 FLOOR VINYL COVERED SKIRTING
- V1 VINYL FLOORING, STANDARD



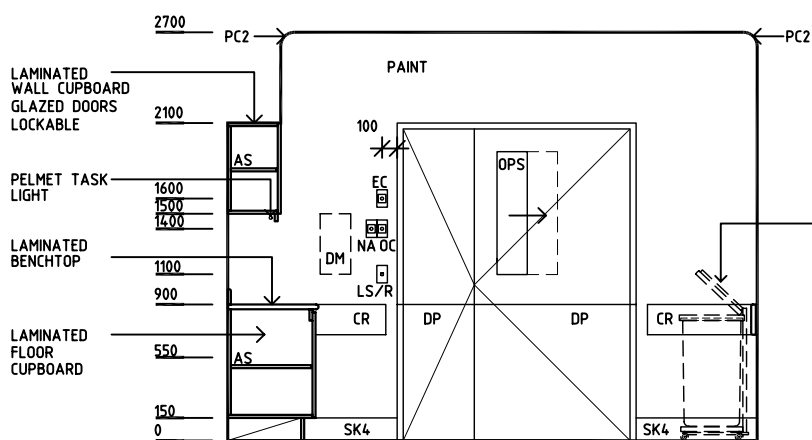
PLAN



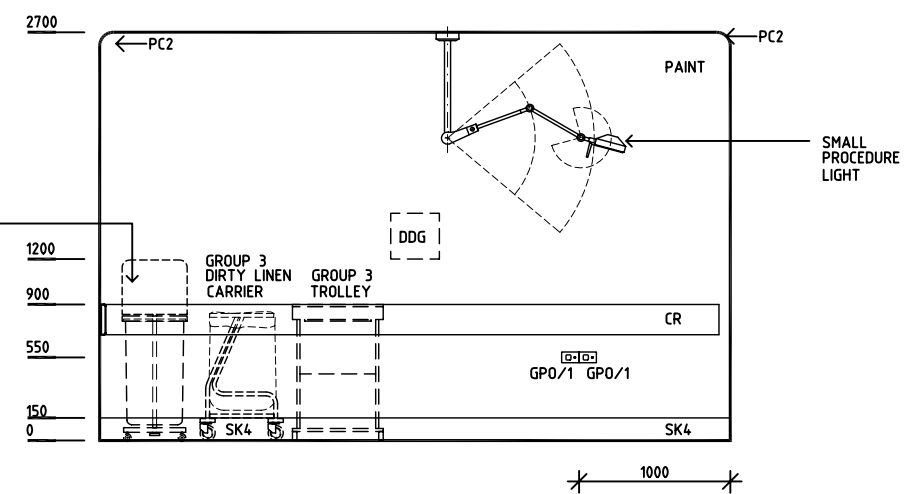
ELEVATION 1



ELEVATION 2



ELEVATION 3



ELEVATION 4

REV	DESCRIPTION	DATE	BY	REV	DESCRIPTION	DATE	BY	REV	DESCRIPTION	DATE	BY
1	FIRST ISSUE	1.12.03									
2	GENERAL REVISIONS	2.6.05									