

# NSW HFG STANDARD COMPONENTS

Room Layout Sheet

Room Name **Store - Sterile Stock, 20m2 (CSSU)**

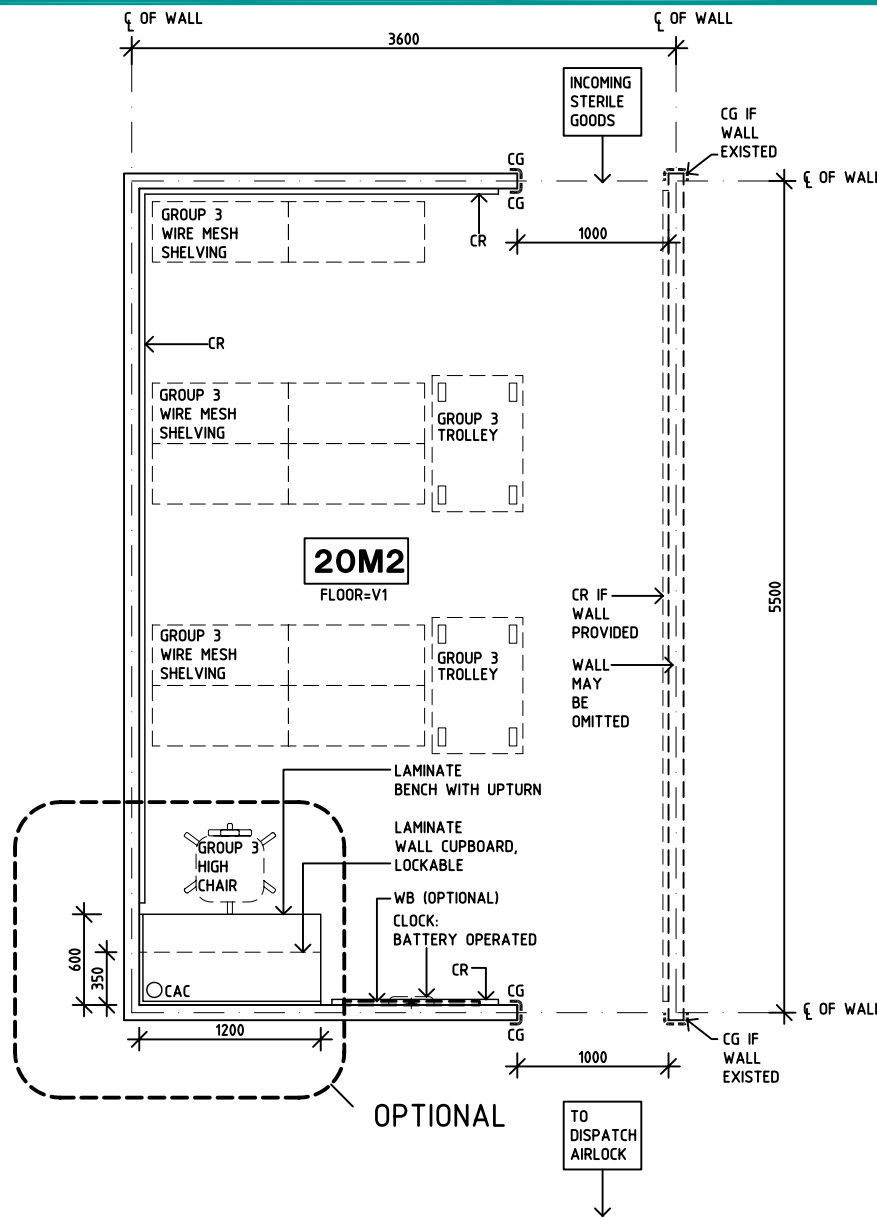
RLS Room Code **STSS-20**

RDS Room Code **STSS-20**

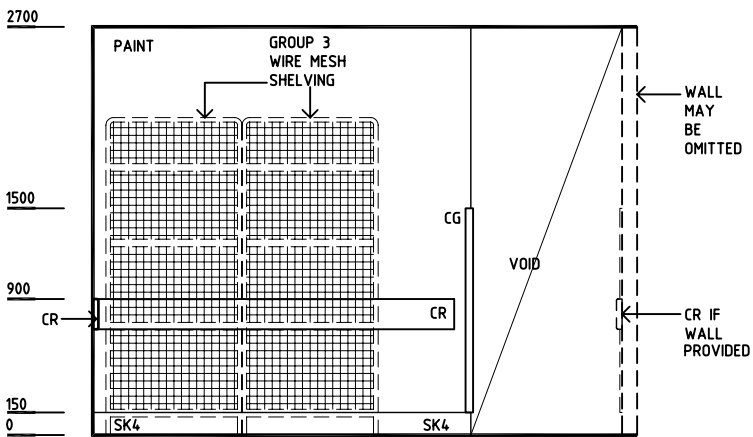
- AS ADJUSTABLE SHELF
- CAC CABLE ACCESS CAP
- CG CORNER GUARD
- COM/2 COMMUNICATIONS OUTLET - DOUBLE
- CR CRASH RAIL
- GP0/2 GENERAL PURPOSE OUTLET - DOUBLE
- LS LIGHT SWITCH
- LS/P LIGHT SWITCH - PELMET
- LVP LAMINATED VERTICAL PANEL
- SK4 FLOOR VINYL COVERED SKIRTING
- V1 FLOOR VINYL, STANDARD
- WB WHITEBOARD



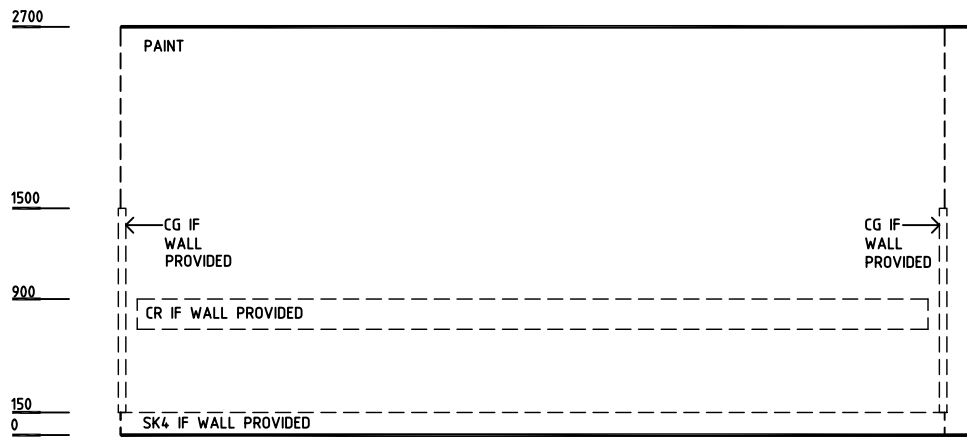
**PLAN**



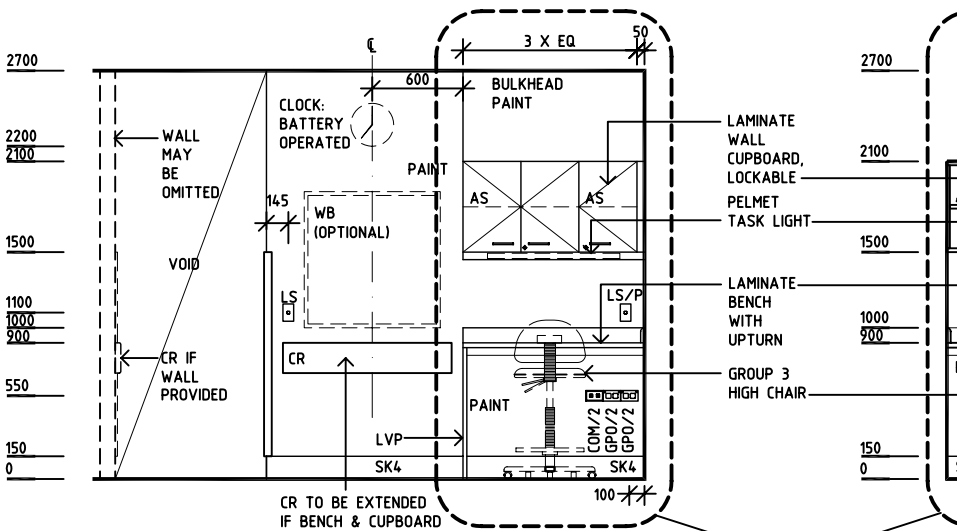
**OPTIONAL**



**ELEVATION 1**

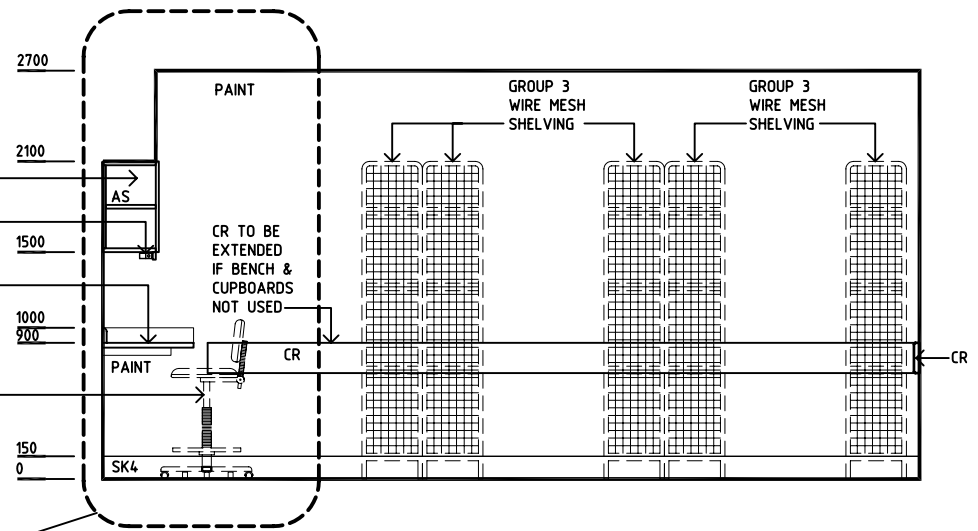


**ELEVATION 2**



**ELEVATION 3**

**OPTIONAL**  
(NOT APPLICABLE TO SERVICES OUTLETS)



**ELEVATION 4**

REV	DESCRIPTION	DATE	BY	REV	DESCRIPTION	DATE	BY	REV	DESCRIPTION	DATE	BY
1	FIRST ISSUE	30.5.05	HS								
2	SECOND ISSUE	26.4.06	ADS								