

NSW HFG STANDARD COMPONENTS

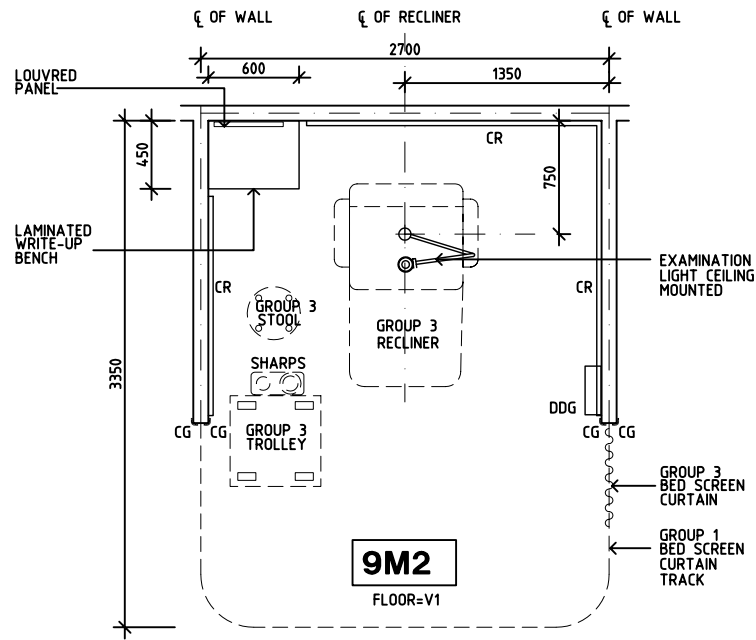
Room Layout Sheet

Room Name **Specimen Collection Bay, 9m2**

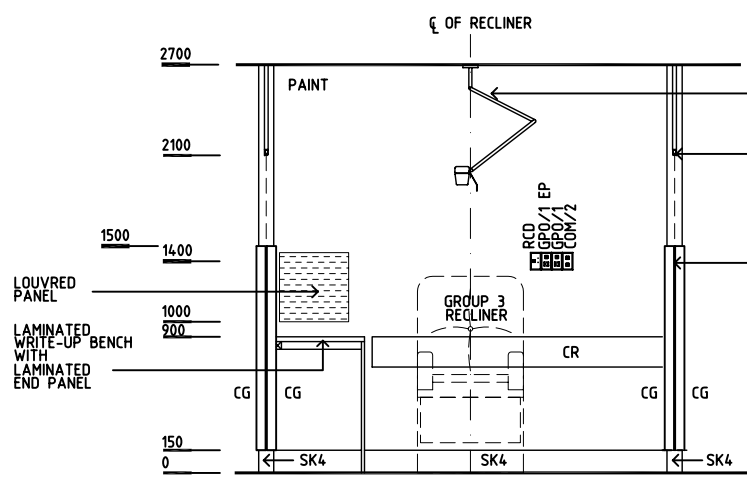
RLS Room Code **SPECC**

RDS Room Code **SPECC**

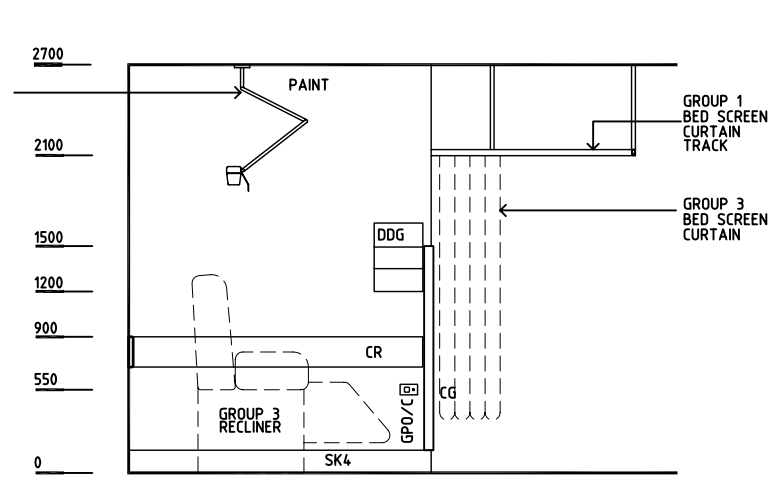
CG	CORNER GUARD
CR	CRASH RAIL
COM/2	COMMUNICATION OUTLET - DOUBLE
DDG	DISPENSER - DISPOSABLE GLOVE
GPO/1	GENERAL PURPOSE OUTLET, SINGLE
GPO/1 EP	EMERGENCY POWER, SINGLE
GPO/C	GENERAL PURPOSE OUTLET, CLEANER'S
RCD	RESIDUAL CURRENT DEVICE
SK4	FLOOR VINYL COVERED SKIRTING
V1	VINYL FLOORING, STANDARD



PLAN



ELEVATION 1



ELEVATION 2

REV	DESCRIPTION	DATE	BY	REV	DESCRIPTION	DATE	BY	REV	DESCRIPTION	DATE	BY
1	FIRST ISSUE	13.7.05	AL								
2	SECOND ISSUE	26.4.06	ADS								

DESIGNED	APPROVED	SCALE(S)	ZONE(S)
CC/AL	DB	1:50 in A3	
CAD FILE NAME		PAPER DRAWING ID	
SPECC		SPECC	