

NSW HFG STANDARD COMPONENTS

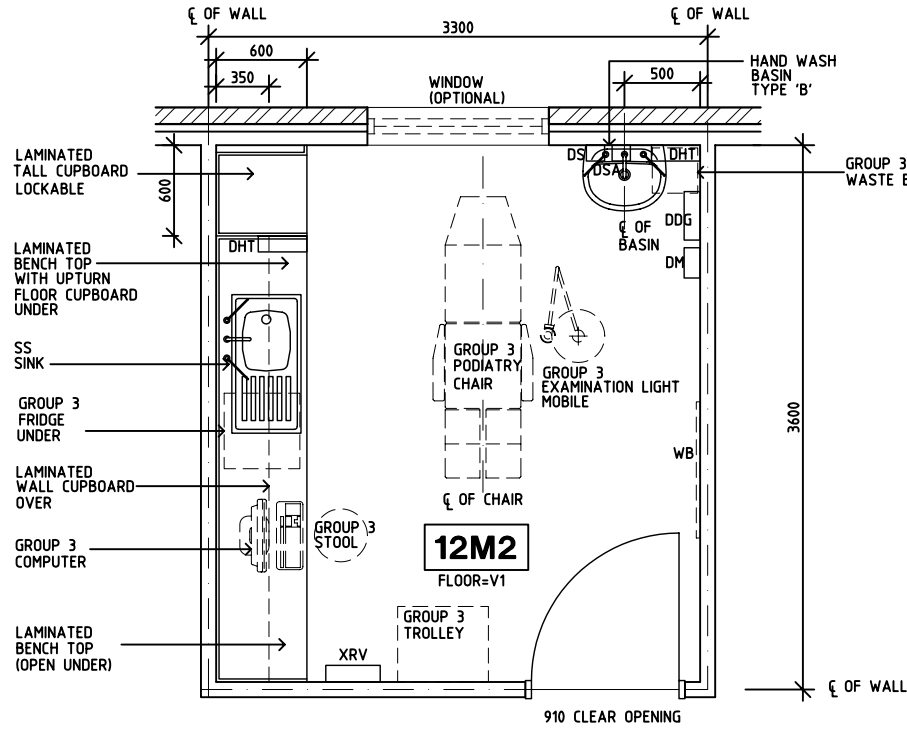
Room Layout Sheet

Room Name **Podiatry Treatment**

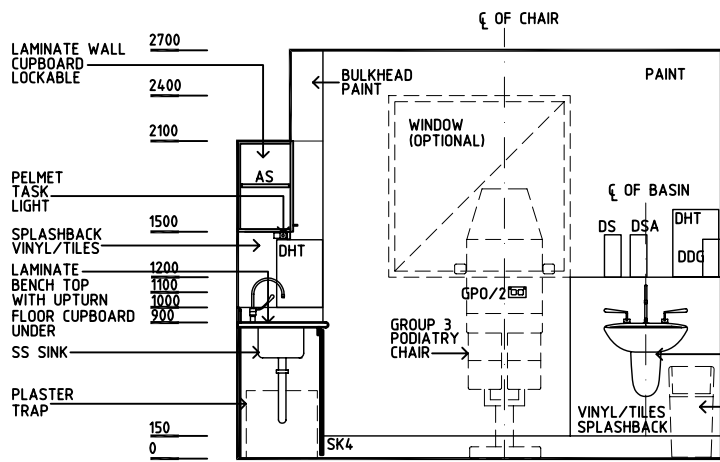
RLS Room Code **PODTR**

RDS Room Code **PODTR**

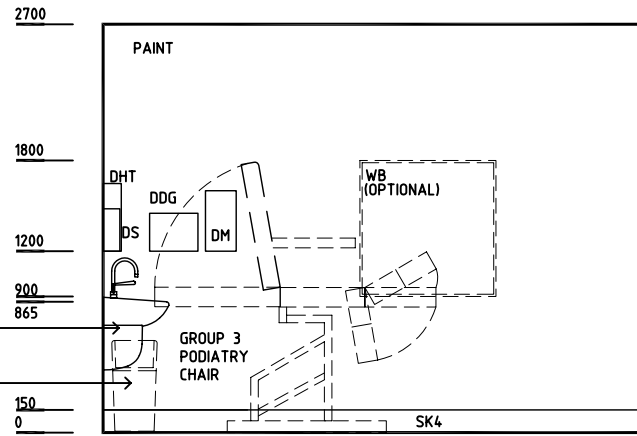
- AS ADJUSTABLE SHELF
- COM/2 COMMUNICATION OUTLET - DOUBLE
- DDG DISPENSER - DISPOSABLE GLOVES
- DHT DISPENSER - HAND TOWEL
- DM DISPENSER - MASK
- DP DOOR AND DOOR FRAME PROTECTION
- DS DISPENSER - SOAP
- DSA DISPENSER - SOAP ANTISEPTIC
- GPO/1 GENERAL PURPOSE OUTLET - SINGLE
- GPO/2 GENERAL PURPOSE OUTLET - DOUBLE
- GPO/C GENERAL PURPOSE OUTLET - CLEANER'S
- LS LIGHT SWITCH
- OP OBSERVATION PANEL
- SK4 FLOOR VINYL COVERED SKIRTING
- V1 VINYL FLOORING, STANDARD
- WB WHITEBOARD
- XRV X-RAY VIEWER



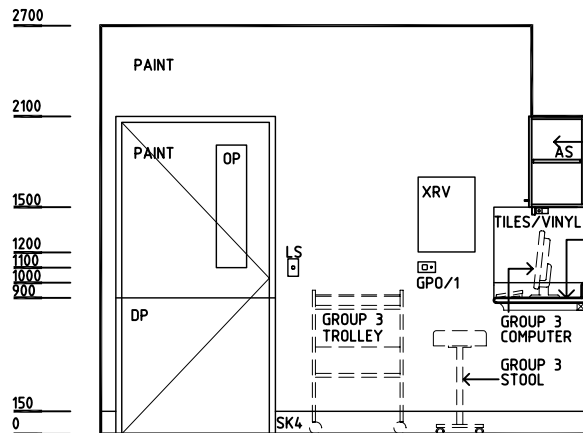
PLAN



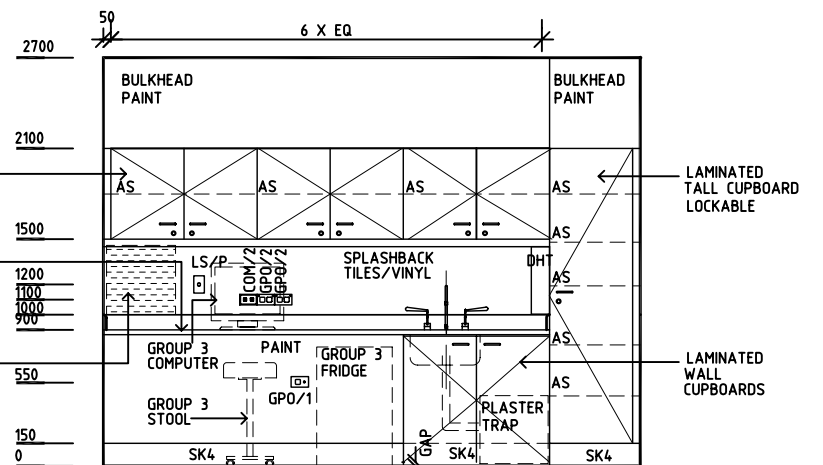
ELEVATION 1



ELEVATION 2



ELEVATION 3



ELEVATION 4

REV	DESCRIPTION	DATE	BY	REV	DESCRIPTION	DATE	BY	REV	DESCRIPTION	DATE	BY
1	FIRST ISSUE	23.5.05	BJ								
2	SECOND ISSUE	26.4.06	ADS								

DESIGNED	APPROVED	SCALE(S)	ZONE(S)
CC/AL/JH	DB	1:50 in A3	
CAD FILE NAME		PAPER DRAWING ID	
PODTR		PODTR	