

# NSW HFG STANDARD COMPONENTS

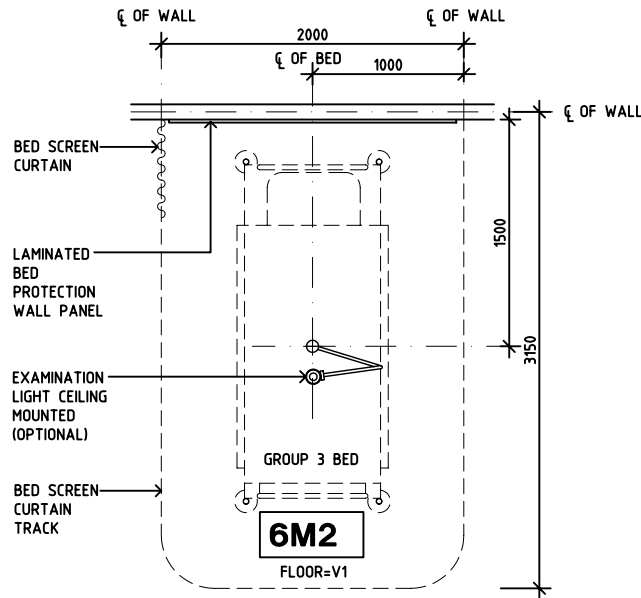
Room Layout Sheet

Room Name **Patient Bay - Holding, 6m2**

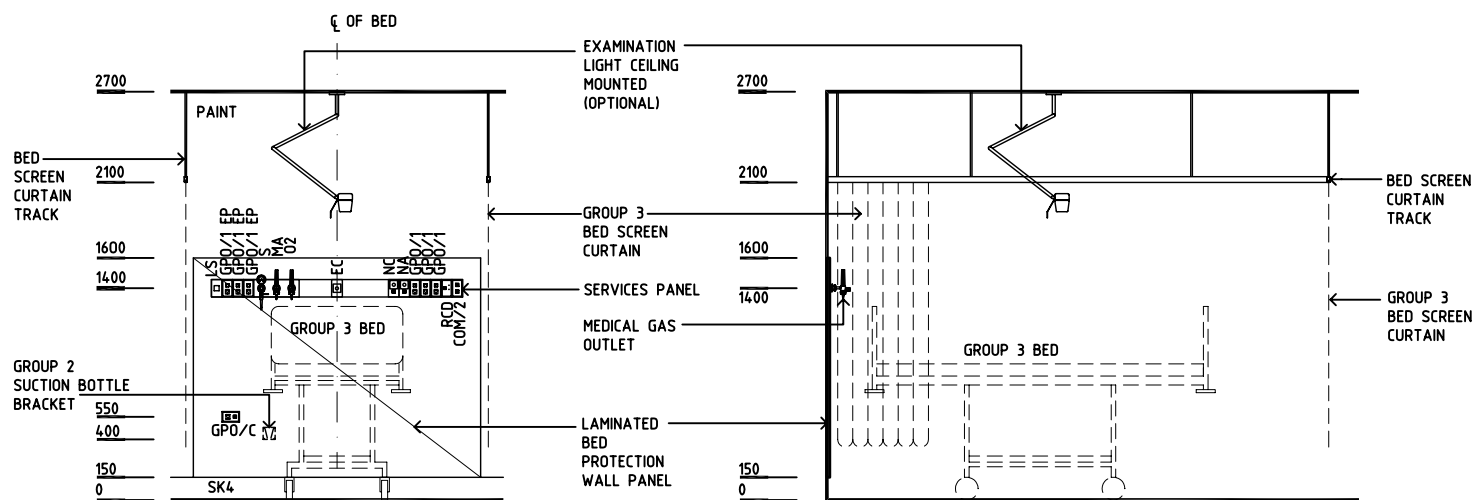
RLS Room Code **PBTR-H-6**

RDS Room Code **PBTR-H-6**

- COM/2 COMMUNICATION OUTLET - DOUBLE
- EC EMERGENCY CALL
- GPO/1 GENERAL PURPOSE OUTLET, SINGLE
- GPO/1 EP EMERGENCY POWER, SINGLE
- LS LIGHT SWITCH
- MA MEDICAL AIR
- NA NURSE ASSIST CALL
- NC PATIENT/NURSE CALL
- O2 OXYGEN
- RCD RESIDUAL CURRENT DEVICE
- S SUCTION
- SK4 FLOOR VINYL COVERED SKIRTING
- V1 VINYL FLOORING, STANDARD



**PLAN**



**ELEVATION 1**

**ELEVATION 2**

REV	DESCRIPTION	DATE	BY	REV	DESCRIPTION	DATE	BY	REV	DESCRIPTION	DATE	BY
1	FIRST ISSUE	11.3.05									
2	SECOND ISSUE	26.4.06	ADS								

DESIGNED	APPROVED	SCALE(S)	ZONE(S)
CC/AL	DB	1:50 in A3	
CAD FILE NAME		PAPER DRAWING ID	
PBTR-H-6		PBTR-H-6	