

NSW HFG STANDARD COMPONENTS

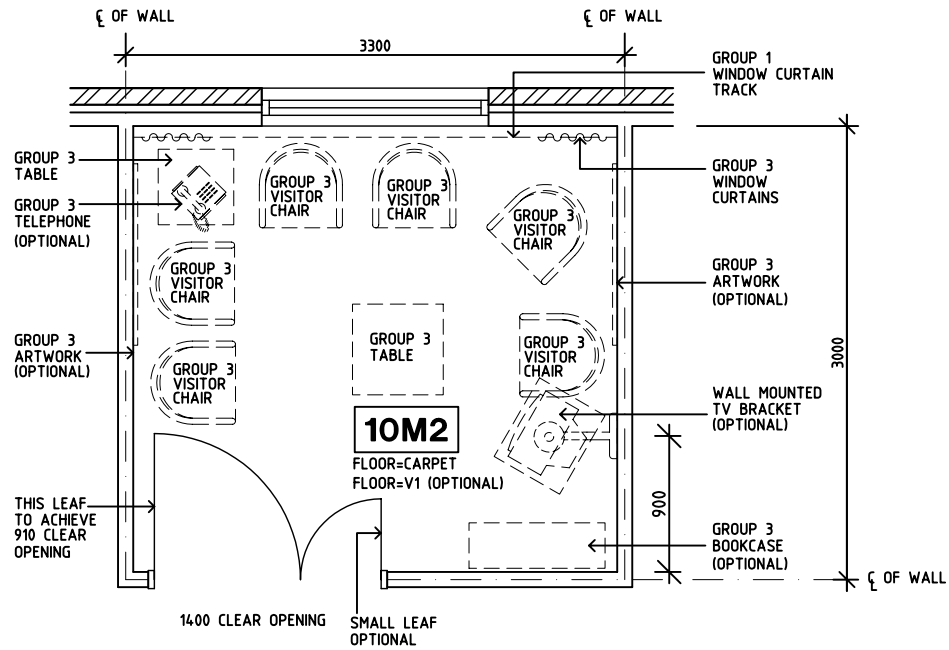
Room Layout Sheet

Room Name **Lounge - Patient, 10m2**

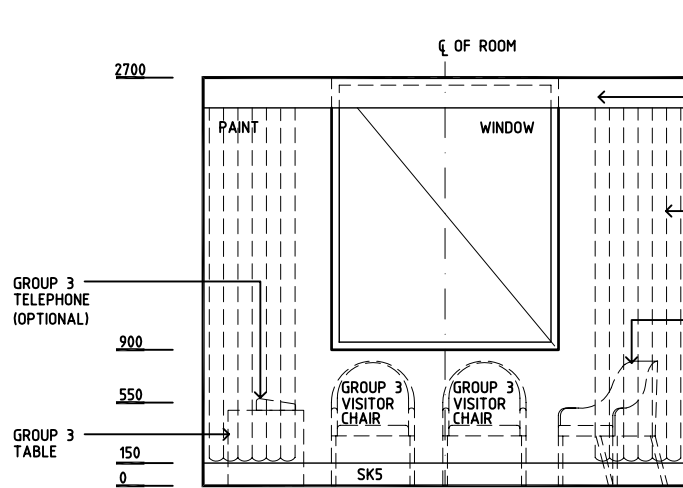
RLS Room Code **LNPT-10**

RDS Room Code **LNPT-10**

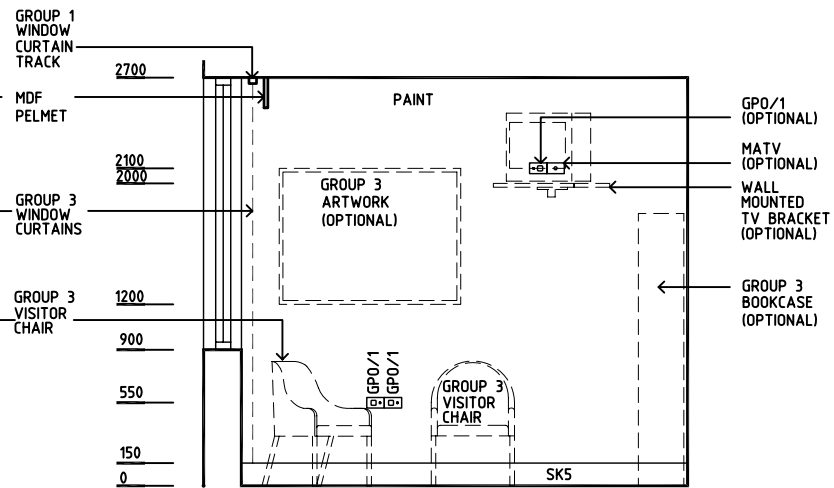
- COM/2 COMMUNICATIONS OUTLET - DOUBLE
- DP DOOR AND DOOR FRAME PROTECTION
- EC EMERGENCY CALL
- GPO/1 GENERAL PURPOSE OUTLET - SINGLE
- GPO/C GENERAL PURPOSE OUTLET - CLEANER
- LS LIGHT SWITCH
- MATV TV CONNECTION
- NA NURSE ASSIST CALL
- NC PATIENT NURSE CALL
- RCD RESIDUAL CURRENT DEVICE
- SK5 VINYL FEATHER EDGE SKIRTING
- V1 VINYL FLOORING, STANDARD



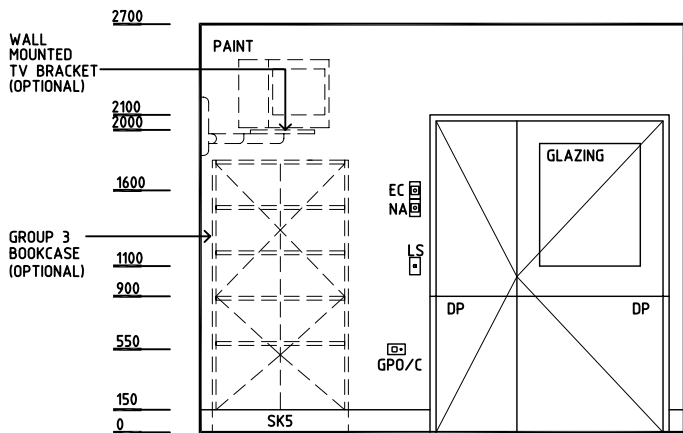
PLAN



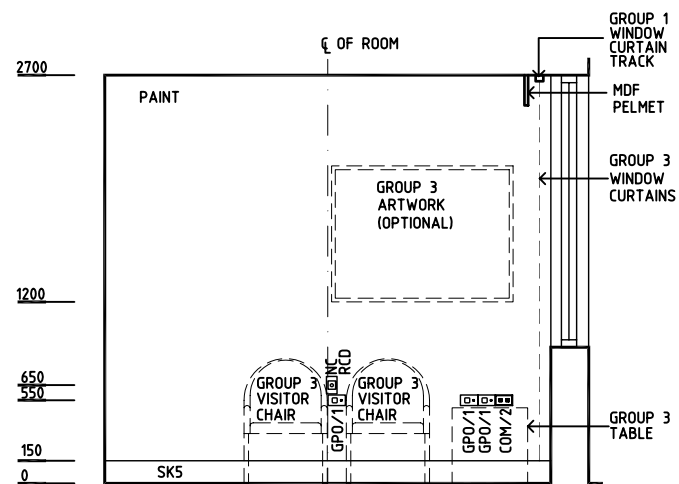
ELEVATION 1



ELEVATION 2



ELEVATION 3



ELEVATION 4

REV	DESCRIPTION	DATE	BY	REV	DESCRIPTION	DATE	BY	REV	DESCRIPTION	DATE	BY
1	FIRST ISSUE	27.6.05	EH								
2	SECOND ISSUE	18.4.06	ADS								