

NSW HFG STANDARD COMPONENTS

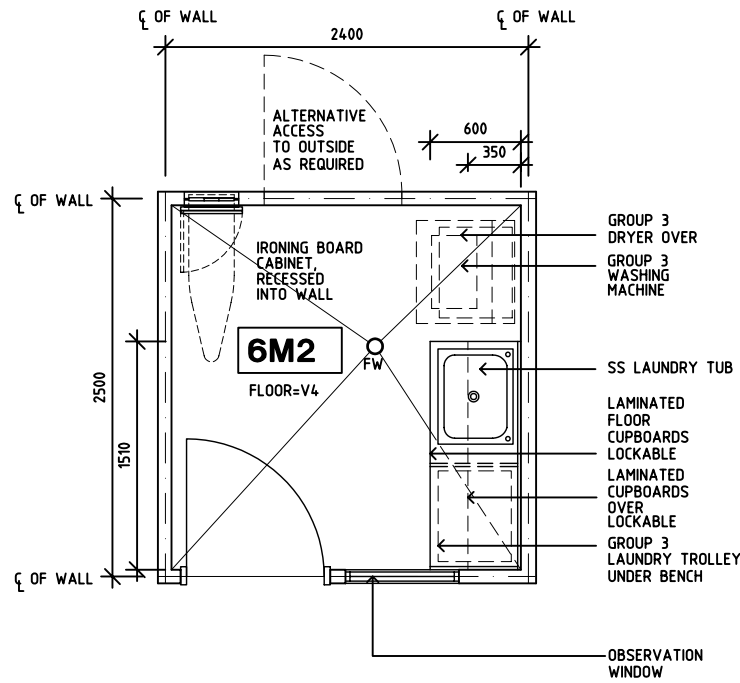
Room Layout Sheet

Room Name **Laundry - Mental Health**

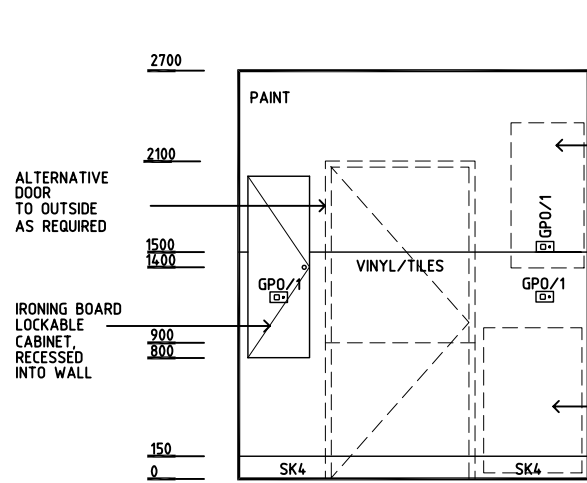
RLS Room Code **LAUN-MH**

RDS Room Code **LAUN-MH**

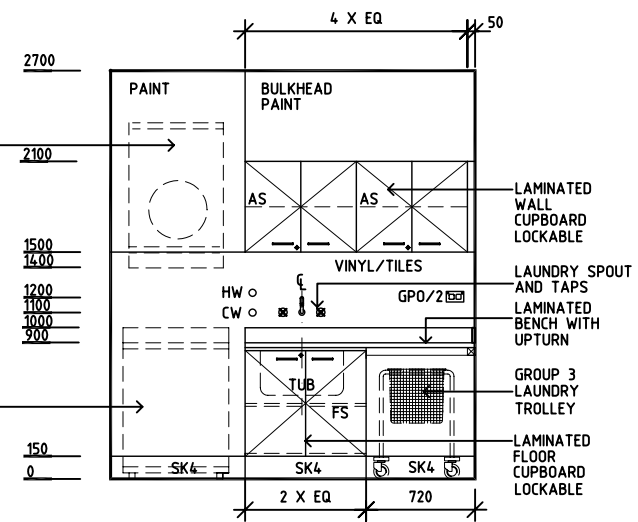
- CW COLD WATER
- DP DOOR AND DOOR FRAME PROTECTION
- FW FLOOR WASTE
- FS FIXED SHELF
- GPO/1 GENERAL PURPOSE OUTLET - SINGLE
- GPO/2 GENERAL PURPOSE OUTLET - DOUBLE
- HW HOT WATER
- LS LIGHT SWITCH
- OP OBSERVATION PANEL
- SG SAFETY GLASS
- SK4 FLOOR VINYL COVERED SKIRTING
- SS STAINLESS STEEL
- V4 VINYL FLOORING - SAFETY



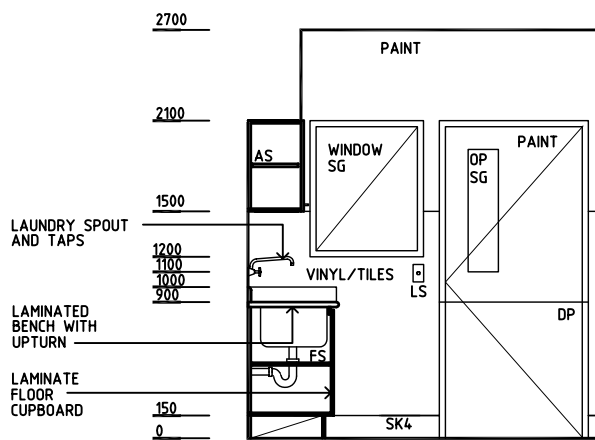
PLAN



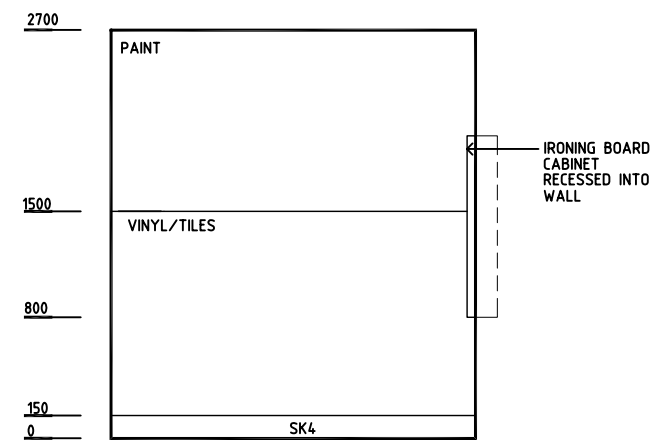
ELEVATION 1



ELEVATION 2



ELEVATION 3



ELEVATION 4

| REV | DESCRIPTION | DATE | BY | REV | DESCRIPTION | DATE | BY | REV | DESCRIPTION | DATE | BY |
|-----|-------------------|---------|-----|-----|-------------|------|----|-----|-------------|------|----|
| 1 | FIRST ISSUE | 18.7.05 | AL | | | | | | | | |
| 2 | GENERAL REVISIONS | 27.4.06 | ADS | | | | | | | | |