

# NSW HFG PENDING STANDARD COMPONENTS

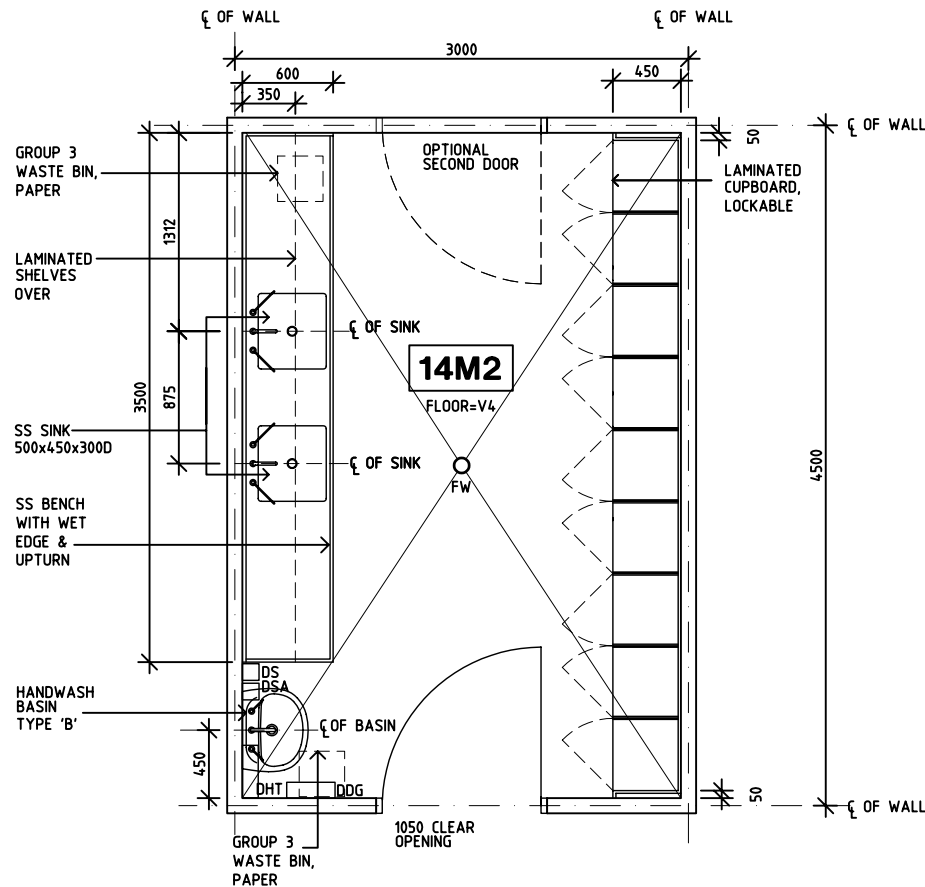
Room Layout Sheet

Room Name **Equipment Clean-Up, 14m2**

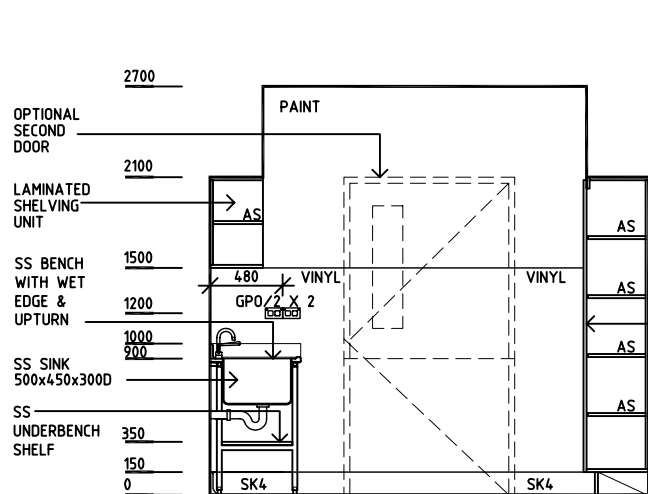
RLS Room Code **ECL-14**

RDS Room Code **ECL-14**

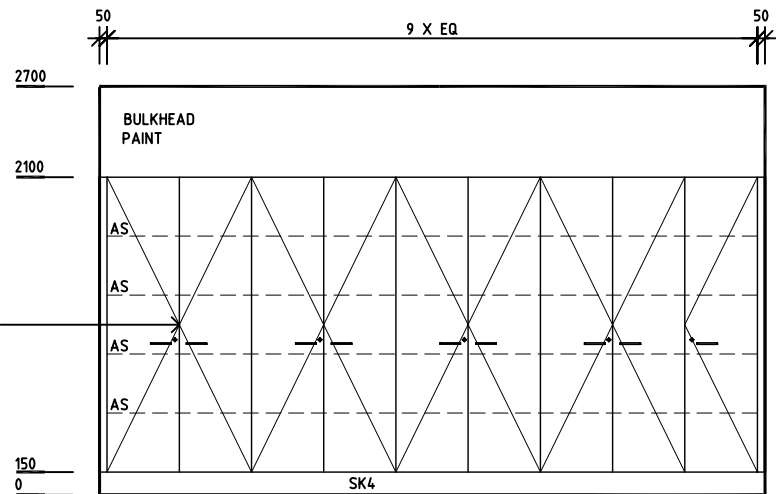
- AS ADJUSTABLE SHELF
- COM/2 COMMUNICATION OUTLET-DOUBLE
- CP CHROME PLATED
- DDG DISPENSER - DISPOSABLE GLOVES
- DHT DISPENSER - HAND TOWEL
- DP DOOR AND FRAME PROTECTION
- DS DISPENSER - SOAP
- DSA DISPENSER - SOAP, ANTISEPTIC
- GPO/2 GENERAL PURPOSE OUTLET-DOUBLE
- LS LIGHT SWITCH
- OP OBSERVATION PANEL
- SK4 FLOOR VINYL COVERED SKIRTING
- V4 VINYL FLOORING, SAFETY



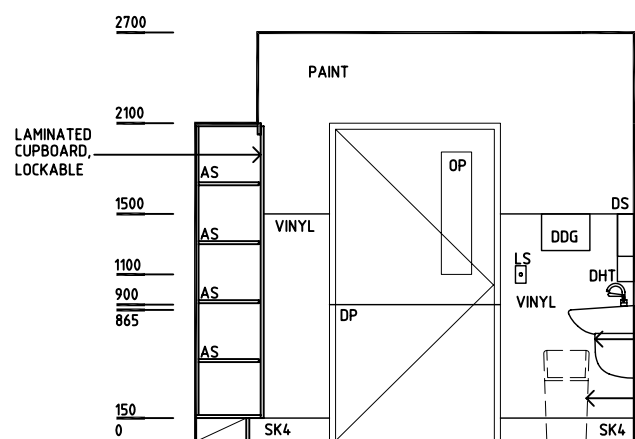
**PLAN**



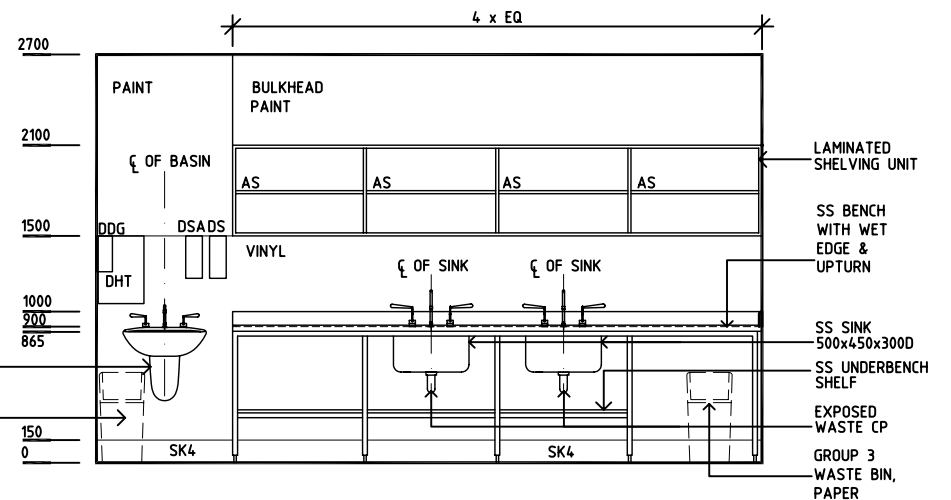
**ELEVATION 1**



**ELEVATION 2**



**ELEVATION 3**



**ELEVATION 4**

REV	DESCRIPTION	DATE	BY	REV	DESCRIPTION	DATE	BY	REV	DESCRIPTION	DATE	BY
1	FIRST ISSUE	24.4.06	AL								