

NSW HFG STANDARD COMPONENTS

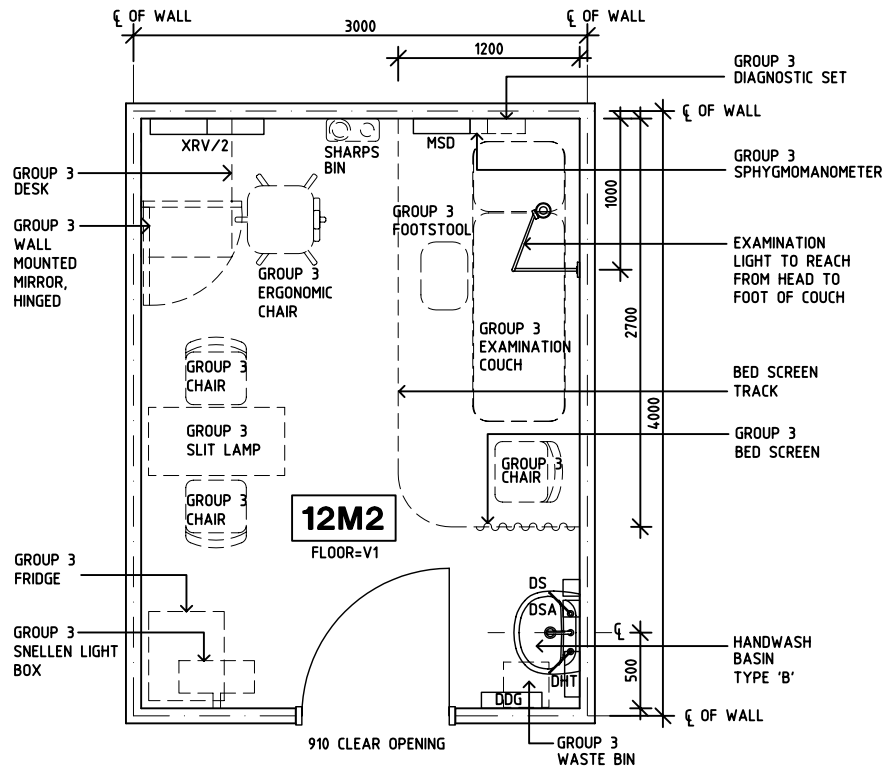
Room Layout Sheet

Room Name **Consult Room - ENT-Ophthalmology**

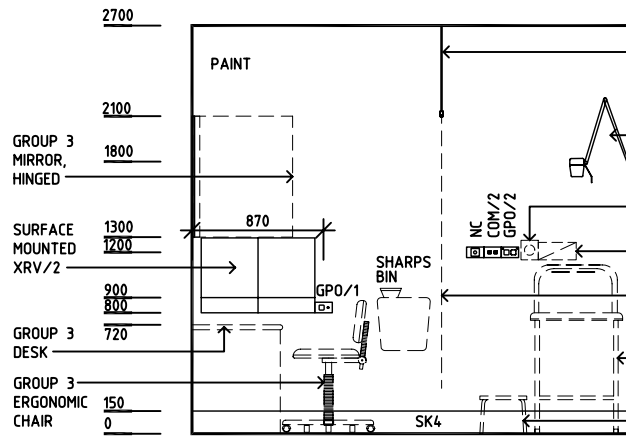
RLS Room Code **CONS-ENT-OPT**

RDS Room Code **CONS-ENT-OPT**

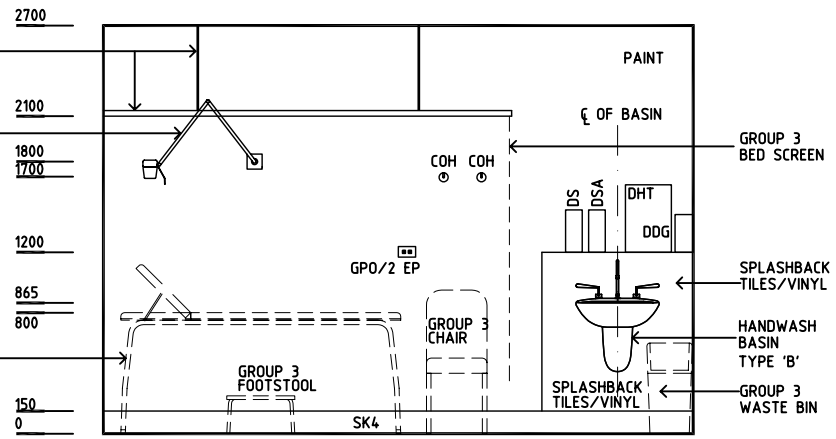
- COH COAT HOOK
- COM/2 COMMUNICATION OUTLET - DOUBLE
- DA DURESS ALARM
- DDG DISPENSER - DISPOSABLE GLOVES
- DHT DISPENSER - HAND TOWEL
- DP DOOR AND DOOR FRAME PROTECTION
- DS DISPENSER - SOAP
- DSA DISPENSER - SOAP ANTISEPTIC
- EC EMERGENCY CALL
- GPO/1 GENERAL PURPOSE OUTLET - SINGLE
- GPO/2 GENERAL PURPOSE OUTLET - DOUBLE
- GPO/2 EP EMERGENCY POWER OUTLET - DOUBLE
- GPO/C GENERAL PURPOSE OUTLET - CLEANER'S
- LS LIGHT SWITCH
- NA NURSE ASSIST CALL
- NC PATIENT/ NURSE CALL
- OP OBSERVATION PANEL
- SK4 FLOOR VINYL COVERED SKIRTING
- V1 VINYL FLOORING, STANDARD
- XRV/2 X-RAY VIEWER, 2 SCREENS



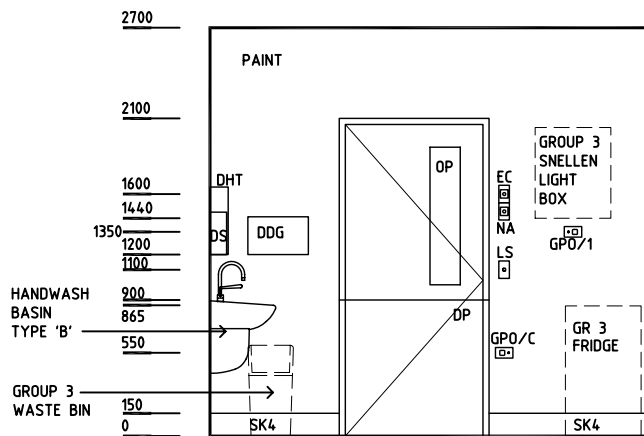
PLAN



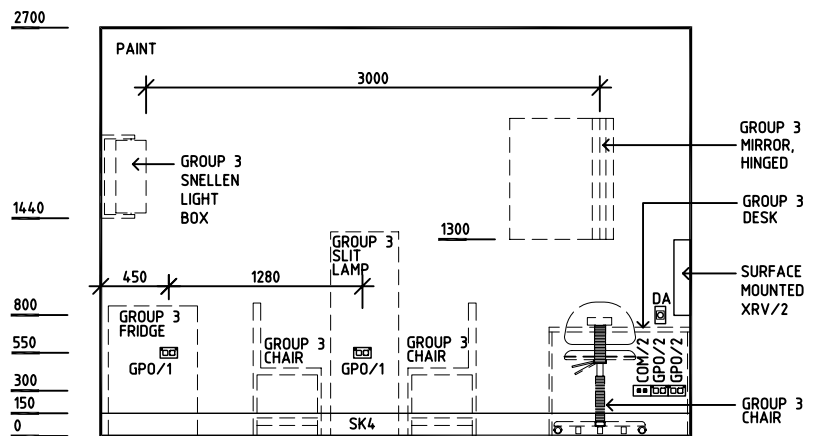
ELEVATION 1



ELEVATION 2



ELEVATION 3



ELEVATION 4

REV	DESCRIPTION	DATE	BY	REV	DESCRIPTION	DATE	BY	REV	DESCRIPTION	DATE	BY
1	FIRST ISSUE	4.4.05	HS								
2	NAME REVISED	31.10.05	AL								
3	COH & GPO/2 EP POSITION CHANGED	18.4.06	ADS								