

NSW HFG STANDARD COMPONENTS

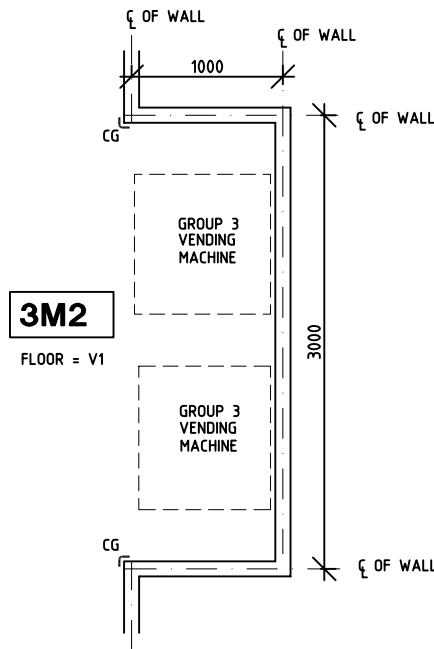
Room Layout Sheet

Room Name **Bay - Vending Machine, 3m2**

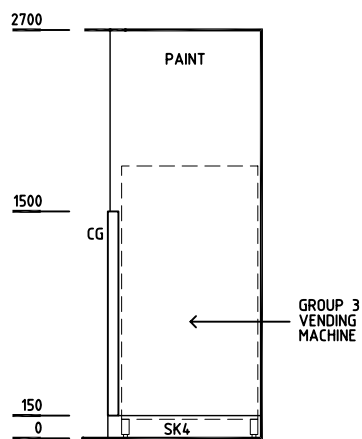
RLS Room Code **BVM-3**

RDS Room Code **BVM-3**

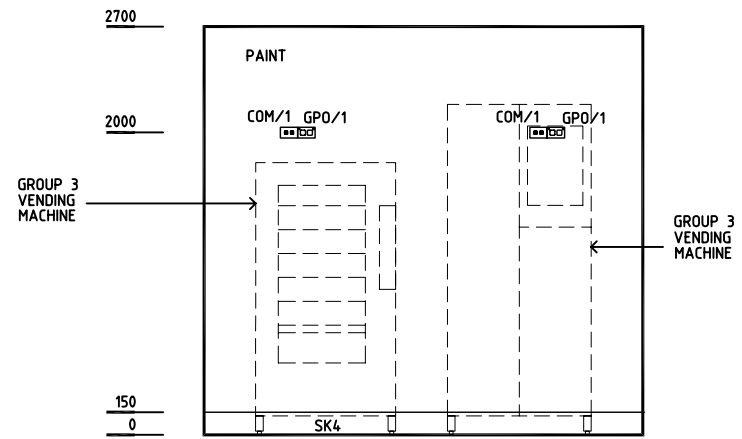
- CG CORNER GUARD
- COM/1 COMMUNICATION OUTLET- SINGLE
- GPO/1 GENERAL POWER OUTLET - SINGLE
- SK4 FLOOR VINYL COVERED SKIRTING
- V1 VINYL FLOORING, STANDARD



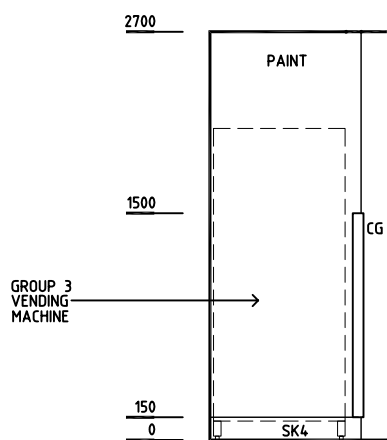
PLAN



ELEVATION 1



ELEVATION 2



ELEVATION 3

REV	DESCRIPTION	DATE	BY	REV	DESCRIPTION	DATE	BY	REV	DESCRIPTION	DATE	BY
1	FIRST ISSUE	11.7.05	HS								
2	SECOND ISSUE	18.4.06	ADS								