

NSW HFG STANDARD COMPONENTS

Room Layout Sheet

Room Name **Bay - Utility, 1m2**

RLS Room Code **BUT-1**

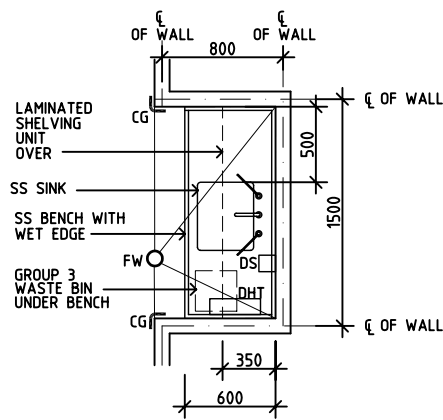
RDS Room Code **BUT**

- AS ADJUSTABLE SHELF
- CG CORNER GUARD
- CP CHROME PLATED
- DHT DISPENSER - HAND TOWEL
- DS DISPENSER - SOAP
- FW FLOOR WASTE
- SK4 FLOOR VINYL COVERED SKIRTING
- SS STAINLESS STEEL
- V4 VINYL FLOORING, SAFETY

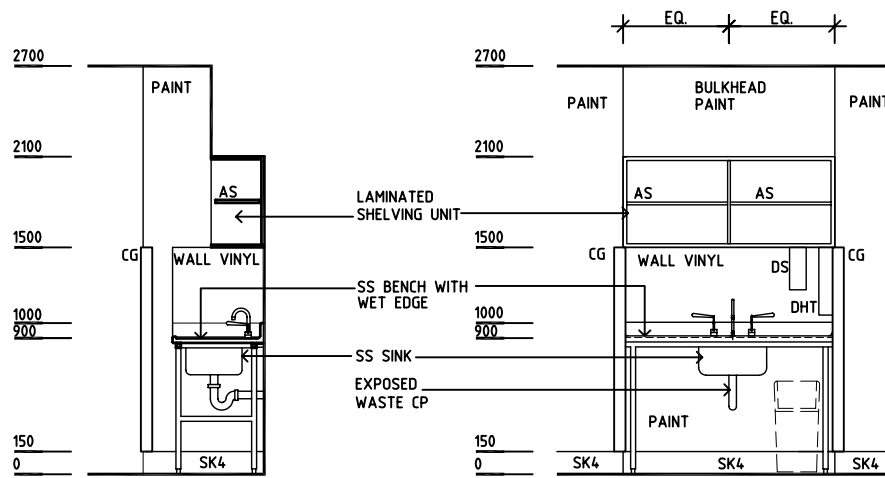


1M2

FLOOR=V4



PLAN



ELEVATION 1

ELEVATION 2

REV	DESCRIPTION	DATE	BY	REV	DESCRIPTION	DATE	BY	REV	DESCRIPTION	DATE	BY
1	FIRST ISSUE	24.4.06	AL								

DESIGNED	APPROVED	SCALE(S)	ZONE(S)
AL/JH	DB	1:50 in A3	
CAD FILE NAME		PAPER DRAWING ID	
BUT-1		BUT	