

NSW HFG STANDARD COMPONENTS

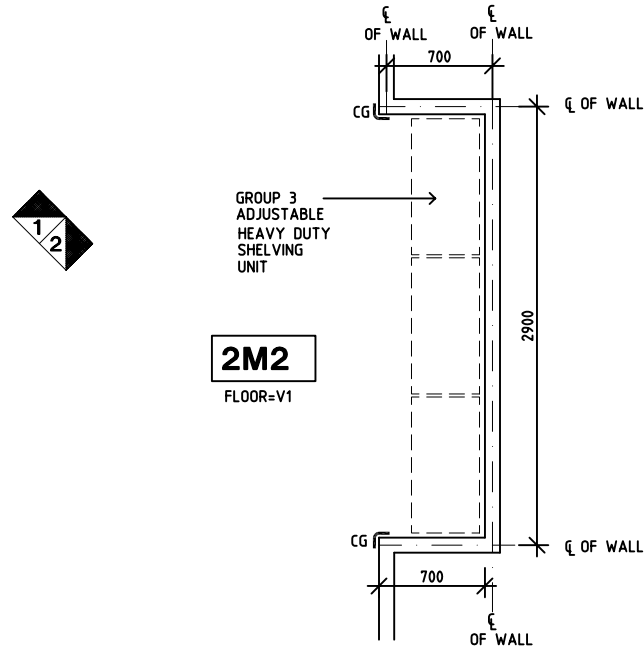
Room Layout Sheet

Room Name **Bay - Storage, 2m2**

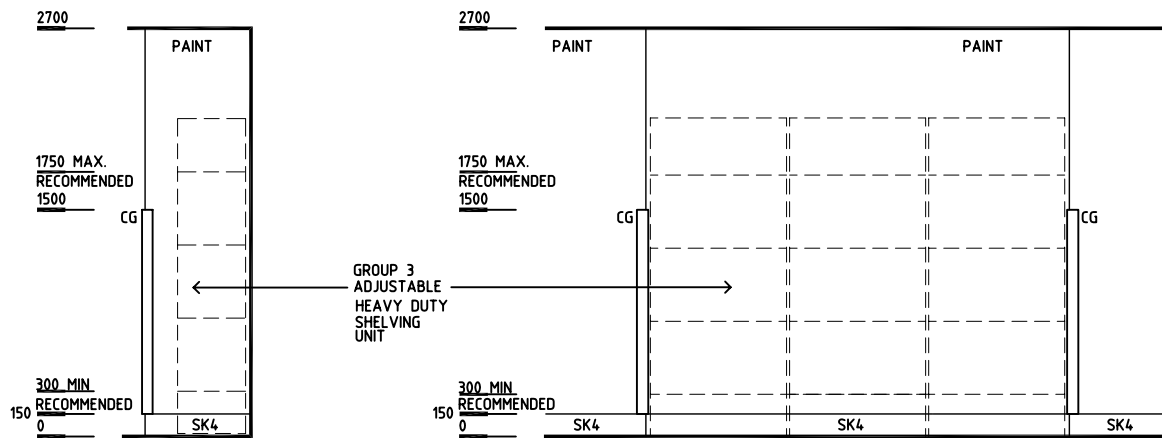
RLS Room Code **BS-2**

RDS Room Code **BS**

CG CORNER GUARD
 SK4 FLOOR VINYL COVERED SKIRTING
 V1 VINYL FLOORING, STANDARD



PLAN



ELEVATION 1

ELEVATION 2

REV	DESCRIPTION	DATE	BY	REV	DESCRIPTION	DATE	BY	REV	DESCRIPTION	DATE	BY
1	FIRST ISSUE	24.4.06	AL								

		THE UNIVERSITY OF NEW SOUTH WALES HPI	DESIGNED	APPROVED	SCALE(S)	ZONE(S)
			AL/ADS/JH	DB	1:50 in A3	
			CAD FILE NAME		PAPER DRAWING ID	
BS-2		BS-2				